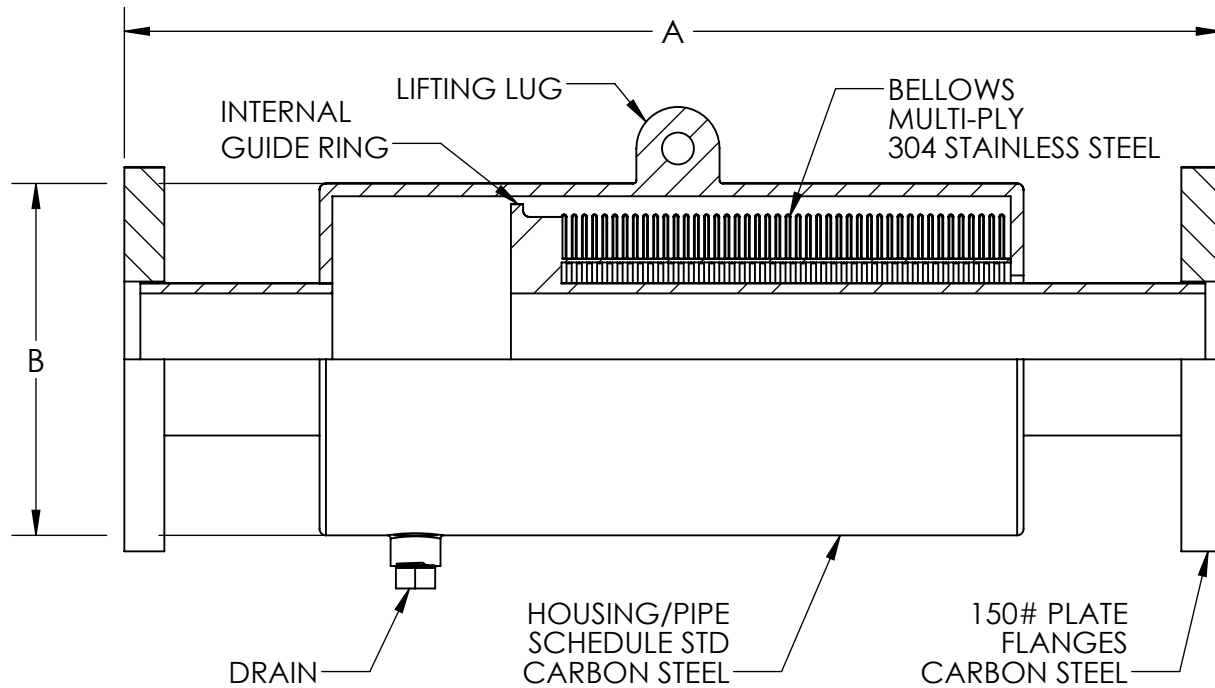


**METRAFLEX METRAGATOR**  
**150 PSI, 6" AXIAL COMPRESSION, FLANGED**  
**EXTERNALLY PRESSURIZED EXPANSION JOINT**



THE EXPANSION JOINT IS DESIGNED FOR AXIAL MOVEMENT ONLY. PIPE MUST BE PROPERLY GUIDED AND ANCHORED PER THE RECOMMENDATIONS OF THE EXPANSION JOINT MANUFACTURERS ASSOCIATION.

QTY	PART NUMBER	PIPE SIZE		A (in)	B (in)	EFF. AREA (in <sup>2</sup> )	SPRING RATE (lb/in)	NOTES
		NPS	MM					
	GAT06SF0200	2	50	31.5	5.5	13.2	115.0	
	GAT06SF0250	2.5	65	32	5.5	13.2	115.0	
	GAT06SF0300	3	80	30	6.5	20.8	235.0	
	GAT06SF0400	4	100	31.25	8.5	36.0	143.0	
	GAT06SF0500	5	130	31.5	10.75	46.4	166.0	
	GAT06SF0600	6	150	32.25	12.75	58.9	189.0	
	GAT06SF0800	8	200	34.75	14	88.8	235.0	
	GAT06SF1000	10	250	34	16	124.6	280.0	
	GAT06SF1200	12	300	33.25	18	166.6	326.0	

**DESIGN DATA**

TEMPERATURE: 700°F (370°C)  
 PRESSURE: 150 PSI (1034 KPa)  
 TEST PRESSURE: 225 PSI (1551 KPa)  
 AXIAL MOVEMENT: 6" COMPRESSION (150 mm)

NOTE: ANCHOR LOAD =  
 (MAX PSI X EFFECTIVE AREA) +  
 (SPRING RATE X MOVEMENT)


**MILITARY SPECS:**

CONFORMS TO MIL-E-17813H AND ASTM-F-2934

CUSTOMER: \_\_\_\_\_

PROJECT: \_\_\_\_\_

ENGINEER: \_\_\_\_\_

REV.	DATE
	
2323 W. HUBBARD ST. CHICAGO, IL 60612 TEL: 312-738-3800 FAX: 312-738-0415 WWW.METRAFLEX.COM	
<b>METRAFLEX METRAGATOR, 150 PSI,                  6" AXIAL COMPRESSION, FLANGED</b>	
DRAWN BY: DKISH	DATE: 6/1/2015
APPROVED: ZB	DATE: 6/2/2015
SCALE: N/A	DRAWING NUMBER: GAT06SF