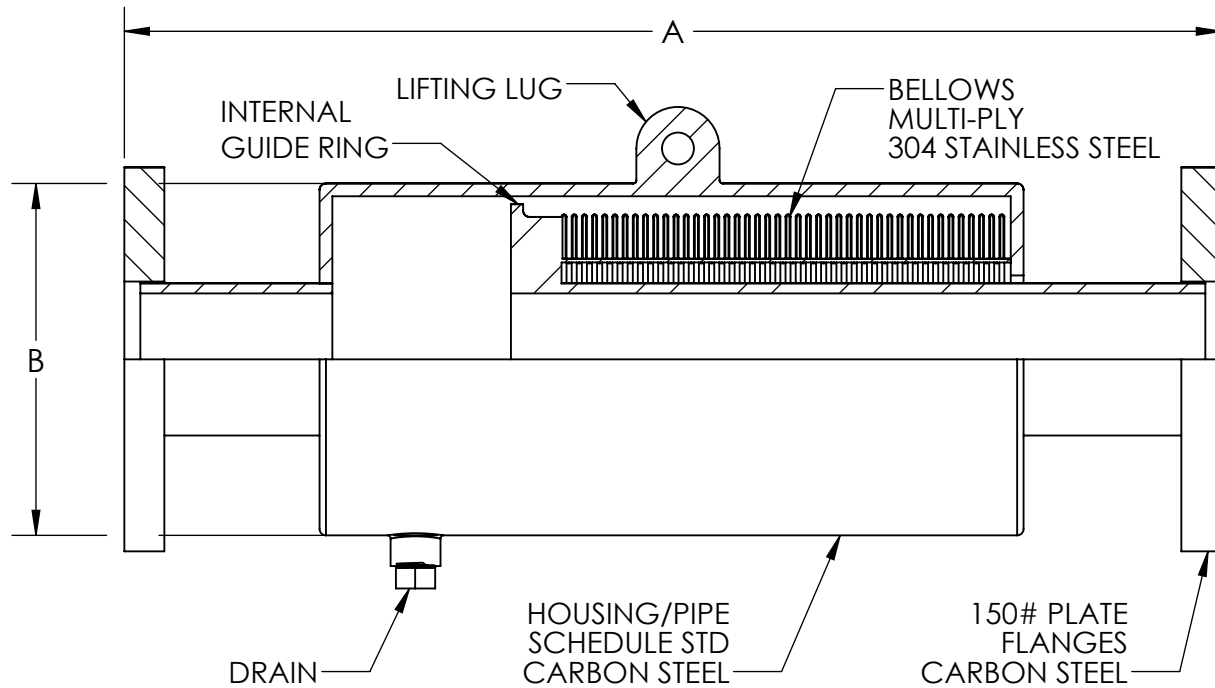


**METRAFLEX METRAGATOR**  
**150 PSI, 8" AXIAL COMPRESSION, FLANGED**  
**EXTERNALLY PRESSURIZED EXPANSION JOINT**



THE EXPANSION JOINT IS DESIGNED FOR AXIAL MOVEMENT ONLY. PIPE MUST BE PROPERLY GUIDED AND ANCHORED PER THE RECOMMENDATIONS OF THE EXPANSION JOINT MANUFACTURERS ASSOCIATION.

QTY	PART NUMBER	PIPE SIZE		A (in)	B (in)	EFF. AREA (in <sup>2</sup> )	SPRING RATE (lb/in)	NOTES
		NPS	MM					
	GAT08SF0200	2	50	38.5	5.5	13.2	92.0	
	GAT08SF0250	2.5	65	38.5	5.5	13.2	92.0	
	GAT08SF0300	3	80	38.5	6.5	20.8	172.0	
	GAT08SF0400	4	100	37.75	8.5	36.0	103.0	
	GAT08SF0500	5	130	38.25	10.75	46.4	120.0	
	GAT08SF0600	6	150	38.5	12.75	58.9	138.0	
	GAT08SF0800	8	200	42	14	88.8	166.0	
	GAT08SF1000	10	250	40.25	16	124.6	200.0	
	GAT08SF1200	12	300	39.75	18	166.6	235.0	

**DESIGN DATA**

TEMPERATURE: 700°F (370°C)  
 PRESSURE: 150 PSI (1034 KPa)  
 TEST PRESSURE: 225 PSI (1551 KPa)  
 AXIAL MOVEMENT: 8" COMPRESSION (200 mm)

NOTE: ANCHOR LOAD =  
 (MAX PSI X EFFECTIVE AREA) +  
 (SPRING RATE X MOVEMENT)


**MILITARY SPECS:**

CONFORMS TO MIL-E-17813H AND ASTM-F-2934

CUSTOMER: \_\_\_\_\_

PROJECT: \_\_\_\_\_

ENGINEER: \_\_\_\_\_

REV.	DATE
	
2323 W. HUBBARD ST. CHICAGO, IL 60612 TEL: 312-738-3800 FAX: 312-738-0415 WWW.METRAFLEX.COM	
<b>METRAFLEX METRAGATOR, 150 PSI,                  8" AXIAL COMPRESSION, FLANGED</b>	
DRAWN BY: DKISH	DATE: 6/1/2015
APPROVED: ZB	DATE: 6/2/2015
SCALE: N/A	DRAWING NUMBER: GAT08SF