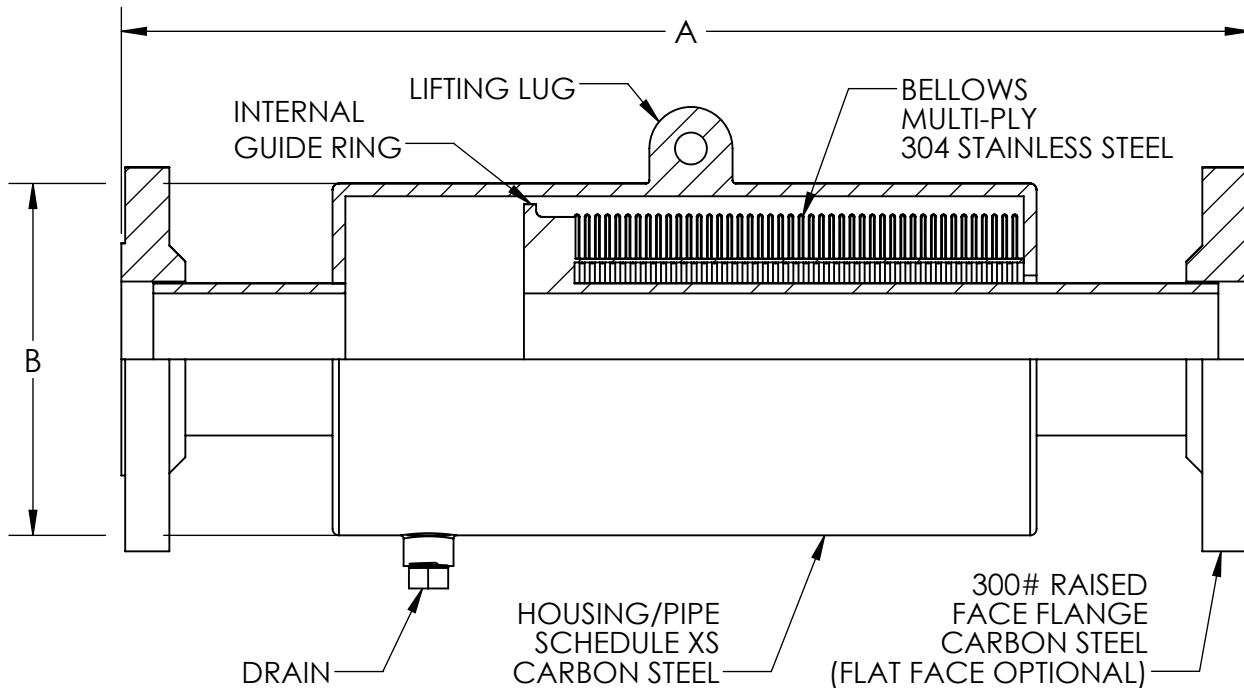


**METRAFLEX METRAGATOR
300 PSI, 8" AXIAL COMPRESSION, FLANGED
EXTERNALLY PRESSURIZED EXPANSION JOINT**



THE EXPANSION JOINT IS DESIGNED FOR AXIAL MOVEMENT ONLY. PIPE MUST BE PROPERLY GUIDED AND ANCHORED PER THE RECOMMENDATIONS OF THE EXPANSION JOINT MANUFACTURERS ASSOCIATION.

QTY	PART NUMBER	PIPE SIZE		A (in)	B (in)	EFF. AREA (in ²)	SPRING RATE (lb/in)	NOTES
		NPS	MM					
	GAT3008SF0200	2	50	45.5	6.625	14.3	339.5	
	GAT3008SF0250	2.5	65	45.75	6.625	14.3	339.5	
	GAT3008SF0300	3	80	43.75	8.625	22.9	441.2	
	GAT3008SF0400	4	100	44.25	10.75	36.4	662.6	
	GAT3008SF0500	5	130	41.25	10.75	46.7	987.0	
	GAT3008SF0600	6	150	41.25	12.75	59.4	1101.9	
	GAT3008SF0800	8	200	43	14	93.0	1583.8	
	GAT3008SF1000	10	250	47.75	16	129.7	1416.9	
	GAT3008SF1200	12	300	49.25	18	172.5	1539.6	

DESIGN DATA

TEMPERATURE: 700°F (370°C)
 PRESSURE: 300 PSI (2068 KPa)
 TEST PRESSURE: 450 PSI (3102 KPa)
 AXIAL MOVEMENT: 8" COMPRESSION (200 mm)

NOTE: ANCHOR LOAD =
 (MAX PSI X EFFECTIVE AREA) +
 (SPRING RATE X MOVEMENT)

MILITARY SPECS:

CONFORMS TO MIL-E-17813H AND ASTM-F-2934

CUSTOMER: _____

PROJECT: _____

ENGINEER: _____

REV.	DATE
2323 W. HUBBARD ST. CHICAGO, IL 60612 TEL: 312-738-3800 FAX: 312-738-0415 WWW.METRAFLEX.COM	
METRAFLEX METRAGATOR, 300 PSI, 8" AXIAL COMPRESSION, FLANGED	
DRAWN BY: DKISH	DATE: 6/1/2015
APPROVED: ZB	DATE: 6/2/2015
SCALE: N/A	DRAWING NUMBER: GAT3008SF