



Trim your waste line

Introducing the  
**PoopLoop™**  
expansion loop.

Slim down pipe designs and installations and protect piping from seismic movement, thermal expansion and building settlement with the trim, compact PoopLoop for waste lines.

**Metraflex®**  
*for pipes in motion*

# The PoopLoop™ joint keeps your waste line trim and flexible

Lined to minimize sediment collection, these loops are designed with a clean-out "T" to facilitate servicing and to comply with most code requirements.

The loops are installed in the sewage lines as they exit a building foundation to allow for building settlement. They are also used in and outside the building to accommodate seismic movement.

The Metraflex PoopLoop joint for seismic, thermal and building movement has these benefits: It is streamlined. and simplifies design.

It takes up less space.

It needs just one support.

It takes less time to install.

It moves in every direction.

It is simply a smarter solution..

Use the PoopLoop expansion joint for greater design freedom and simpler installations

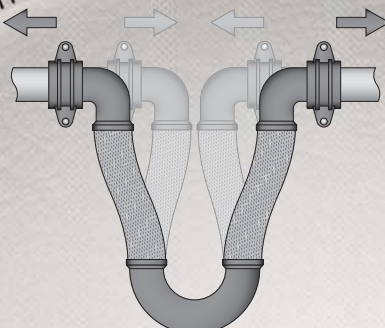
And best of all, PoopLoop joints install fast and requires only 2 connections.

Simple.

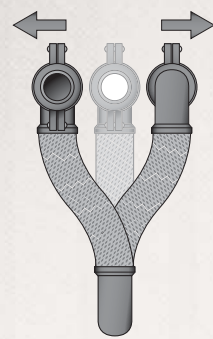
CAD downloads, specifications and more available at [www.metroflex.com](http://www.metroflex.com)



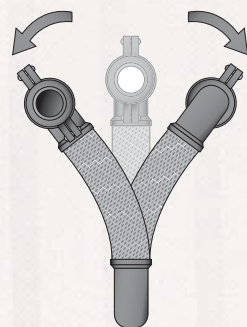
Clean-out "T" facilitates servicing



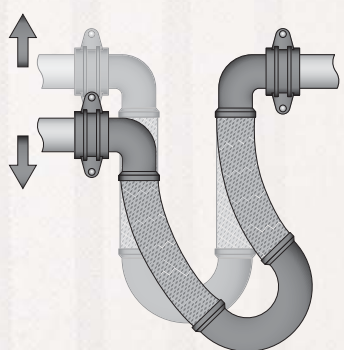
**Axial compression and extension**



**Parallel offset "Z" axis**



**Parallel offset with "X" axis rotation**



**Non-parallel offset "Y" axis**

