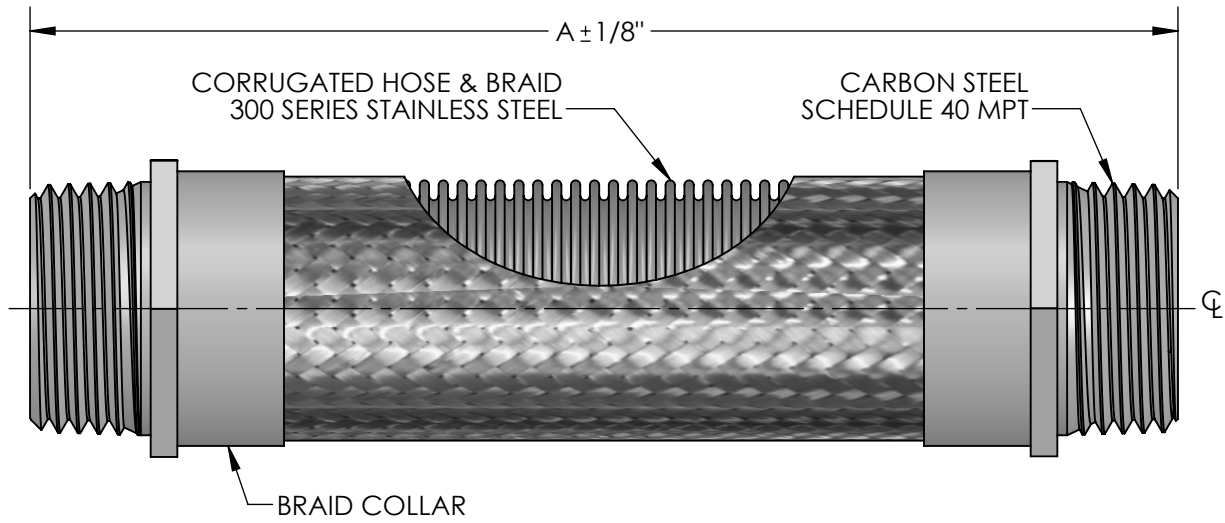


**MODEL SSTT
THREADED FLEXIBLE PUMP CONNECTOR**



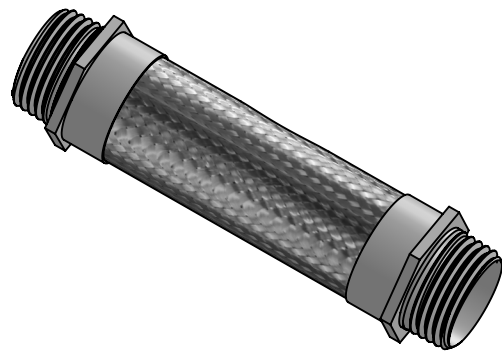
NOTE: DO NOT USE WRENCHES ON HOSE OR BRAID COLLAR.

QTY	PART NUMBER	PIPE SIZE		A	PRESSURE RATING (PSI)*	WEIGHT (LBS)	PROJECT INFORMATION
		INCH	MM				
	SSTT0038	3/8"	15	6"	1501	1	
	SSTT0050	1/2"	20	6-1/2"	1075	1.2	
	SSTT0075	3/4"	25	7"	792	1.5	
	SSTT0100	1"	32	8"	571	2	
	SSTT0125	1-1/4"	38	8-1/2"	531	2.5	
	SSTT0150	1-1/2"	50	9"	472	3	
	SSTT0200	2"	65	10-1/2"	516	4	

*FOR SAFE WORKING PRESSURE ABOVE 70°F, MULTIPLY THE PRESSURE SHOWN AT 70°F TIMES THE CORRECTION FACTOR OF THE REQUIRED TEMPERATURE.

MAX INTERMITTENT OFFSET FROM CENTERLINE 1/8"

TEMPERATURE (°F)	FACTOR
70	1.0
200	.91
300	.85
400	.78
500	.77
600	.76



NSF 372 - LEAD FREE

The wetted surface of this product contacted by consumable water contains less than one quarter of one percent (0.25%) of lead by weight. Material complies with state codes and standards, where applicable, requiring reduced lead content. Not suitable for potable water systems due to materials of construction.

CUSTOMER: _____

PROJECT: _____

ENGINEER: _____

REV. 1	TEMP FACTOR UPDATED	DATE 12/28/2016
		2323 W. HUBBARD ST. CHICAGO, IL 60612 TEL: 312-738-3800 FAX: 312-738-0415 WWW.METRAFLEX.COM
MODEL SSTT THREADED FLEXIBLE PUMP CONNECTOR		
DRAWN BY: DKISH		DATE: 1/10/2014
APPROVED: JC		DATE: 1/10/2014
SCALE: N/A	DRAWING NUMBER: SSTT-1	