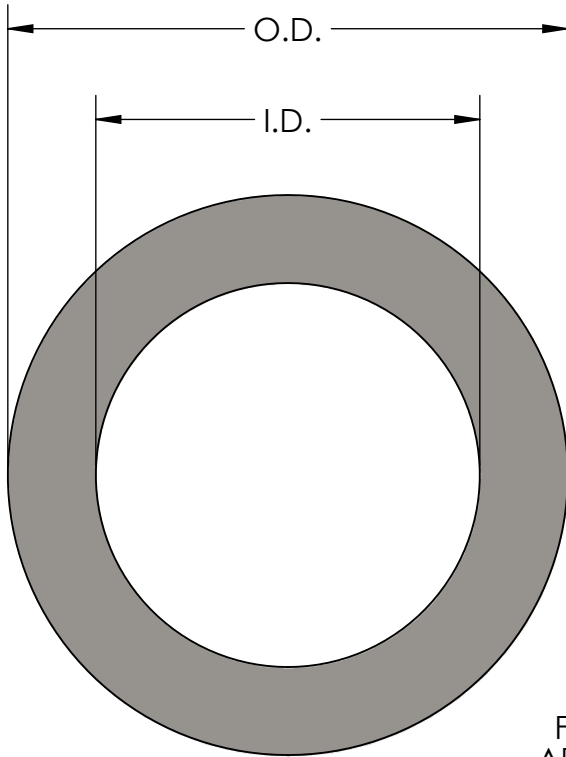


TRANSITION FLANGE



MATERIAL - CARBON STEEL, 1/4" THICK

NPS	I.D. (in.)	O.D. (in.)	WEIGHT (lb.)
2	2	4-1/8	0.7
2-1/2	2-1/2	4-7/8	1.0
3	3	5-3/8	1.1
4	4	6-7/8	1.7
5	5	7-3/4	2.0
6	6	8-3/4	2.3
8	8	11	3.2
10	10	13-3/8	4.4
12	12	16-1/8	6.5

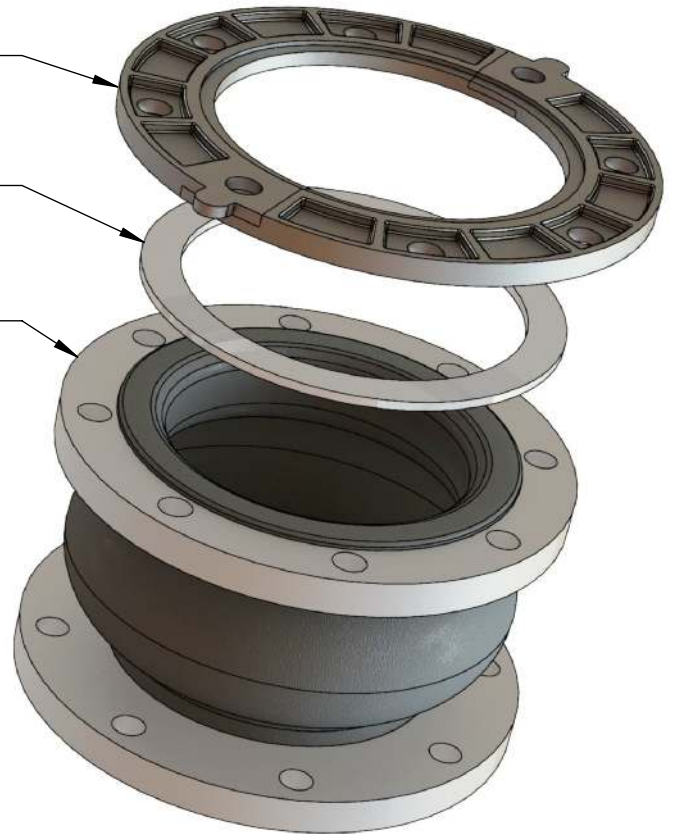
**Rings that do not meet the minimum thickness of 1/4" and the ID and OD dimensions will void the Metrasphere warranty.*

NOTE: TO BE INSTALLED IN BETWEEN METRASPHERE FLANGE AND FLANGE ADAPTER

FLANGE ADAPTER

TRANSITION FLANGE

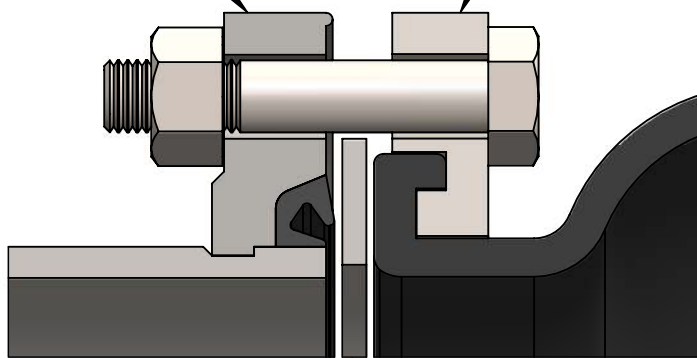
METRASPHERE FLANGE



FLANGE ADAPTER

METRASPHERE FLANGE

TRANSITION FLANGE



CUSTOMER: _____

PROJECT: _____

ENGINEER: _____

REV.	DATE
2323 W. HUBBARD ST. CHICAGO, IL 60612 TEL: 312-738-3800 FAX: 312-738-0415 WWW.METRAFLEX.COM	
TRANSITION FLANGE FOR METRASPHERE AND FLANGE ADAPTER	
DRAWN BY: DKISH	DATE: 8/11/2014
APPROVED:	DATE:
SCALE: NONE	DRAWING NUMBER: TRANSFLG