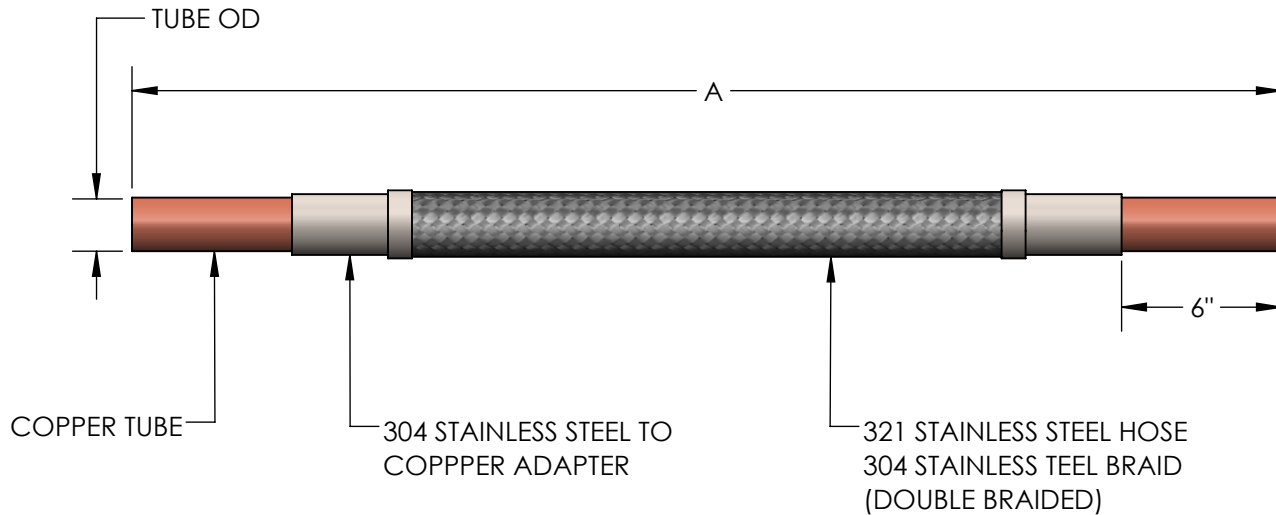


**MODEL VAVRF8
VIBRATION ABSORBER FOR VRF SYSTEMS
COPPER ENDS**



CLEANED AND BAGGED PER PRAXAIR 99

YES NO

CONTACT FACTORY FOR ADDITIONAL SIZES AND MOVEMENTS.

QTY	PART NUMBER	NOM SIZE	TUBE OD	A	PRESSURE RATING	WEIGHT
	VAVRF80050	1/2"	5/8"	25-3/4"	700 PSI @ 300°F	2 LBS
	VAVRF80063	5/8"	3/4"	26-7/8"	700 PSI @ 300°F	3 LBS
	VAVRF80075	3/4"	7/8"	26-7/8"	700 PSI @ 300°F	3 LBS
	VAVRF80100	1"	1-1/8"	27-3/8"	700 PSI @ 300°F	4 LBS
	VAVRF80125	1-1/4"	1-3/8"	28"	700 PSI @ 300°F	5 LBS
	VAVRF80150	1-1/2"	1-5/8"	28-1/2"	640 PSI @ 300°F	7 LBS
	VAVRF80200	2"	2-1/8"	29-5/8"	640 PSI @ 300°F	10 LBS


ALL VAVRF8'S ARE RATED FOR FULL VACUUM.

NOTE: VRF CONNECTORS ARE DESIGNED FOR VIBRATION SERVICE ONLY.

CUSTOMER: _____

PROJECT: _____

ENGINEER: _____

REV.	DATE
	
2323 W. HUBBARD ST. CHICAGO, IL 60612 TEL: 312-738-3800 FAX: 312-738-0415 WWW.METRAFLEX.COM	
VIBRATION ABSORBER FOR VRF SYSTEMS, COPPER TUBE ENDS	
DRAWN BY: BDIAZ	DATE: 5/5/2022
APPROVED: DKISH	DATE: 5/5/2022
SCALE: NTS	DRAWING NUMBER: VAVRF8-1