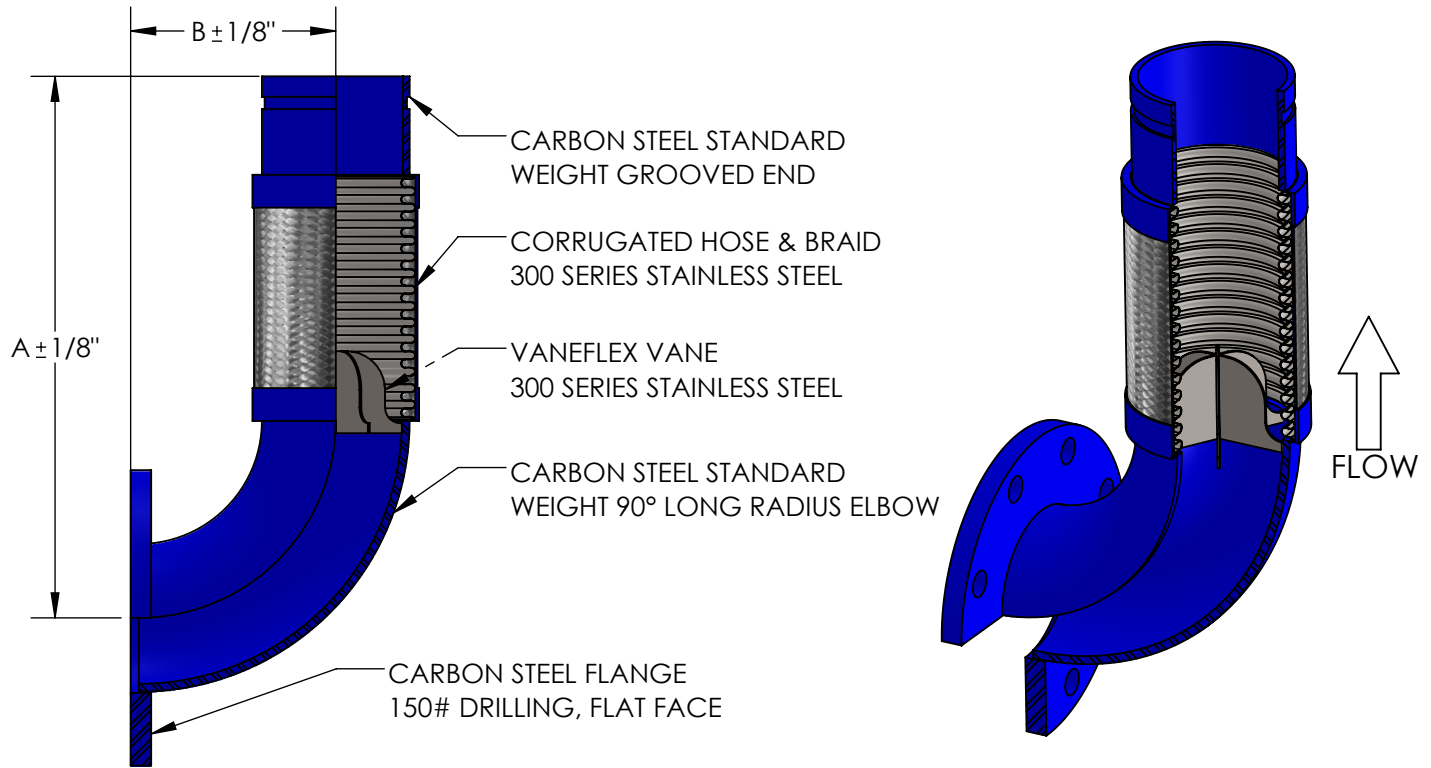


MODEL VF90FG

VANEFLEX WITH 150# PLATE FLANGE AND A LR ELBOW x GROOVE



QTY	PART NUMBER	PIPE SIZE		A	B	PRESSURE RATING (PSI)*	WEIGHT (LBS)	PROJECT INFORMATION
		INCH	MM					
	VF90FG0200	2"	50	14-1/4"	3-1/4"	516	13	
	VF90FG0250	2-1/2"	65	15"	4"	387	19	
	VF90FG0300	3"	80	15-3/4"	4-3/4"	316	22	
	VF90FG0400	4"	100	17-1/4"	6-1/4"	232	31	
	VF90FG0500	5"	125	20-3/4"	7-3/4"	191	43	
	VF90FG0600	6"	150	22-1/4"	9-1/4"	165	56	
	VF90FG0800	8"	200	26-3/4"	12-1/4"	234	104	
	VF90FG1000	10"	250	30-3/4"	15-1/4"	230	163	
	VF90FG1200	12"	300	34-3/4"	18-1/4"	161	233	
	VF90FG1400	14"	350	37-3/4"	21-1/4"	150	275	

*FOR SAFE WORKING PRESSURE ABOVE 70°F, MULTIPLY THE PRESSURE SHOWN AT 70°F TIMES THE CORRECTION FACTOR OF THE REQUIRED TEMPERATURE.

TEMPERATURE (°F)	FACTOR
70	1.0
200	.91
300	.85
400	.78
500	.77
600	.76

MAX INTERMITTENT OFFSET FROM CENTERLINE 1/8"
MAX PERMANENT OFFSET FROM CENTERLINE 3/8"


NSF 372 - LEAD FREE

The wetted surface of this product contacted by consumable water contains less than one quarter of one percent (0.25%) of lead by weight. Material complies with state codes and standards, where applicable, requiring reduced lead content. Not suitable for potable water systems due to materials of construction.

CUSTOMER: _____

PROJECT: _____

ENGINEER: _____

REV. 1	TEMP FACTOR UPDATED	DATE 1/4/2017
		2323 W. HUBBARD ST. CHICAGO, IL 60612 TEL: 312-738-3800 FAX: 312-738-0415 WWW.METRAFLEX.COM
<h2>MODEL VF90FG</h2> <p>VF, 150# PLATE FLANGE x GROOVE, LR ELBOW</p>		
DRAWN BY: DKISH		DATE: 11/22/2013
APPROVED: JC		DATE: 11/22/2013
SCALE: N/A	DRAWING NUMBER: VF90FG-1	