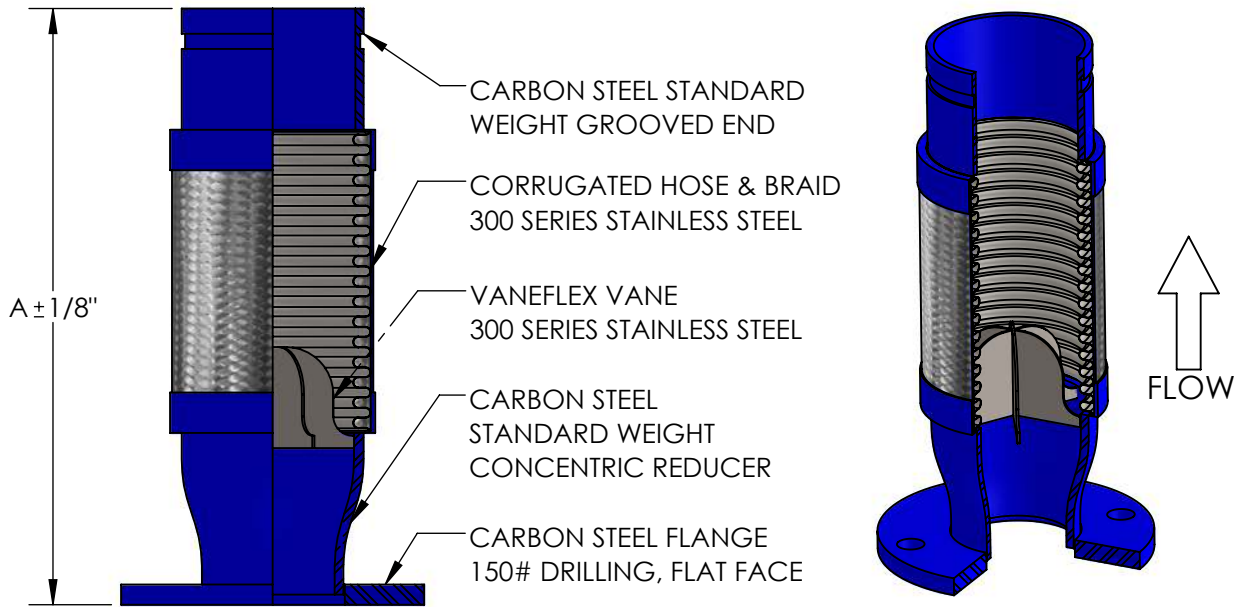


MODEL VFRFG

VANEFLEX WITH 150# PLATE FLANGE AND CONCENTRIC REDUCER x GROOVE



QTY	PART NUMBER	PIPE SIZE		A	PRESSURE RATING (PSI)*	WEIGHT (LBS)	PROJECT INFORMATION
		SMALLER	LARGER				
	VFRFG0225	2"	2-1/2"	15"	387	17	
	VFRFG0203	2"	3"	15"	316	18	
	VFRFG2503	2-1/2"	3"	15"	316	19	
	VFRFG0204	2"	4"	15-1/2"	232	24	
	VFRFG2504	2-1/2"	4"	15-1/2"	232	24	
	VFRFG0304	3"	4"	15-1/2"	232	25	
	VFRFG2505	2-1/2"	5"	18-1/2"	191	33	
	VFRFG0305	3"	5"	18-1/2"	191	33	
	VFRFG0405	4"	5"	18-1/2"	191	34	
	VFRFG0306	3"	6"	19"	165	39	
	VFRFG0406	4"	6"	19"	165	39	
	VFRFG0506	5"	6"	19"	165	40	
	VFRFG0408	4"	8"	21"	234	67	
	VFRFG0508	5"	8"	21"	234	68	
	VFRFG0608	6"	8"	21"	234	68	
	VFRFG0610	6"	10"	23"	230	100	
	VFRFG0810	8"	10"	23"	230	102	
	VFRFG1012	10"	12"	25"	161	142	

*FOR SAFE WORKING PRESSURE ABOVE 70°F, MULTIPLY THE PRESSURE SHOWN AT 70°F TIMES THE CORRECTION FACTOR OF THE REQUIRED TEMPERATURE.

TEMPERATURE (°F)	FACTOR
70	1.0
200	.91
300	.85
400	.78
500	.77
600	.76

MAX INTERMITTENT OFFSET FROM CENTERLINE 1/8"
MAX PERMANENT OFFSET FROM CENTERLINE 3/8"

NSF 372 - LEAD FREE

The wetted surface of this product contacted by consumable water contains less than one quarter of one percent (0.25%) of lead by weight. Material complies with state codes and standards, where applicable, requiring reduced lead content.

REV. 1	TEMP FACTOR UPDATED	DATE 1/4/2017
		2323 W. HUBBARD ST. CHICAGO, IL 60612 TEL: 312-738-3800 FAX: 312-738-0415 WWW.METRAFLEX.COM

CUSTOMER: _____

PROJECT: _____

ENGINEER: _____

MODEL VFRFG
VF, 150# PLT FLG x GRV, CONCENTRIC REDUCER

DRAWN BY: DKISH	DATE: 11/22/2013
APPROVED: JC	DATE: 11/22/2013
SCALE: N/A	DRAWING NUMBER: VFRFG-1