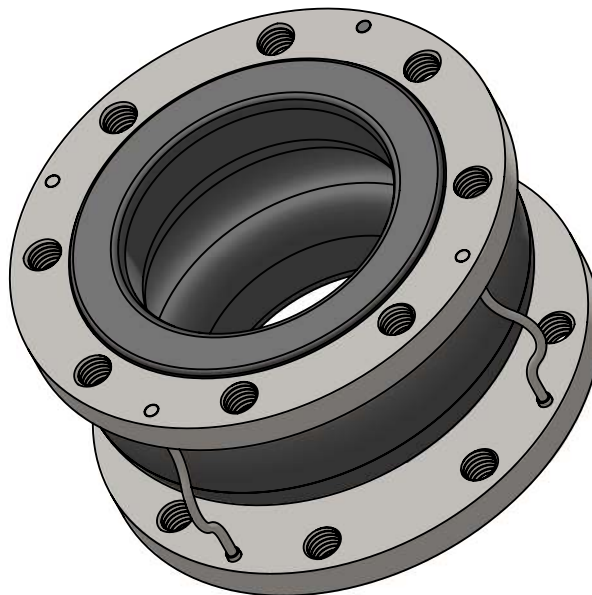
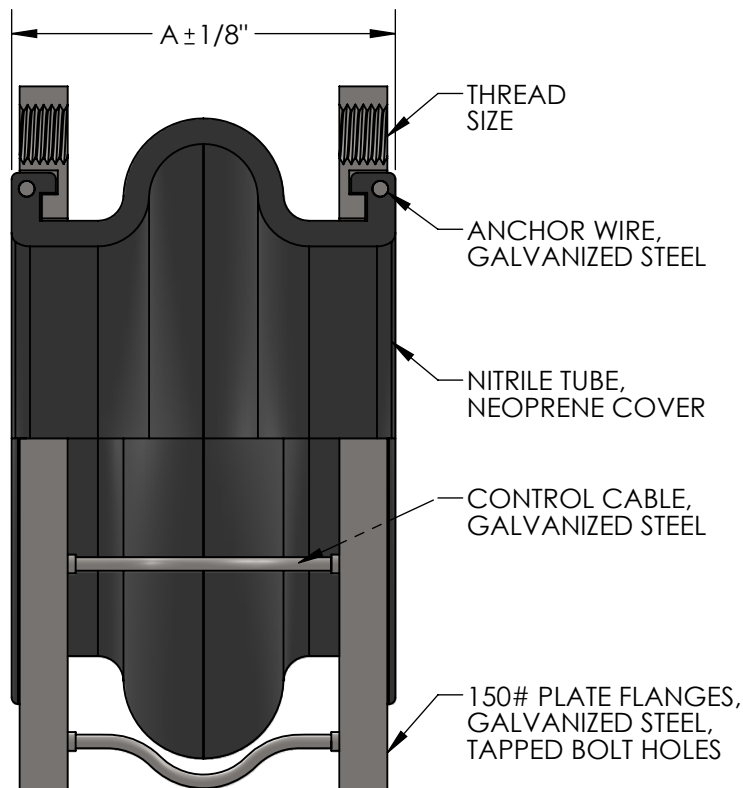


**CABLESPHERE, MODEL MSRCPN  
NITRILE EXPANSION JOINT, TAPPED BOLT HOLES**



**MAXIMUM OPERATING CONDITIONS**

| TEMPERATURE | PRESSURE (PSI) |
|-------------|----------------|
| 170°        | 225            |
| 180°        | 200            |
| 190°        | 175            |
| 200°        | 150            |
| 210°        | 125            |
| 220°        | 100            |
| 230°        | 75             |

NOTES:  
WWW.METRAFLEX.COM FOR INSTALLATION INSTRUCTIONS.  
JOINT MUST BE INSTALLED AT ITS NEUTRAL LENGTH.  
BOLTS MUST BE PROPERLY TORQUED.  
NOT SUITABLE FOR STEAM OR VACUUM APPLICATIONS.

**MAXIMUM WORKING TEMPERATURE 230°F**

| QTY | PART NUMBER | PIPE SIZE |     | A  | AXIAL COMP. | FORCE (LBS) | AXIAL EXT. | FORCE (LBS) | LATERAL OFFSET | FORCE (LBS) | ANGULAR | WEIGHT (LBS) | THREAD SIZE (UNC) | CABLES |
|-----|-------------|-----------|-----|----|-------------|-------------|------------|-------------|----------------|-------------|---------|--------------|-------------------|--------|
|     |             | INCH      | MM  |    |             |             |            |             |                |             |         |              |                   |        |
|     | MSRCPN0200  | 2"        | 50  | 6" | 1/2"        | 55          | 1/8"       | 73          | 1/2"           | 55          | 15°     | 8            | 5/8"              | 2      |
|     | MSRCPN0250  | 2-1/2"    | 65  | 6" | 1/2"        | 102         | 1/8"       | 68          | 1/2"           | 97          | 15°     | 13           | 5/8"              | 2      |
|     | MSRCPN0300  | 3"        | 80  | 6" | 1/2"        | 136         | 1/8"       | 115         | 1/2"           | 108         | 15°     | 14           | 5/8"              | 2      |
|     | MSRCPN0400  | 4"        | 100 | 6" | 5/8"        | 145         | 1/8"       | 242         | 1/2"           | 275         | 15°     | 18           | 5/8"              | 2      |
|     | MSRCPN0500  | 5"        | 125 | 6" | 5/8"        | 172         | 1/8"       | 196         | 1/2"           | 308         | 15°     | 23           | 3/4"              | 2      |
|     | MSRCPN0600  | 6"        | 150 | 6" | 5/8"        | 293         | 1/8"       | 563         | 1/2"           | 484         | 15°     | 28           | 3/4"              | 4      |
|     | MSRCPN0800  | 8"        | 200 | 6" | 5/8"        | 372         | 1/8"       | 587         | 1/2"           | 688         | 15°     | 40           | 3/4"              | 4      |
|     | MSRCPN1000  | 10"       | 250 | 8" | 3/4"        | 398         | 1/4"       | 455         | 3/4"           | 781         | 15°     | 68           | 7/8"              | 4      |
|     | MSRCPN1200  | 12"       | 300 | 8" | 3/4"        | 390         | 1/4"       | 356         | 3/4"           | 842         | 15°     | 94           | 7/8"              | 4      |


**NSF 372 - LEAD FREE**

The wetted surface of this product contacted by consumable water contains less than one quarter of one percent (0.25%) of lead by weight. Material complies with state codes and standards, where applicable, requiring reduced lead content.

CUSTOMER: \_\_\_\_\_

PROJECT: \_\_\_\_\_

ENGINEER: \_\_\_\_\_

|   |                                 |
|---|---------------------------------|
| REV.  | DATE                            |
|                     |                                 |
| 2323 W. HUBBARD ST.<br>CHICAGO, IL 60612<br>TEL: 312-738-3800<br>FAX: 312-738-0415<br>WWW.METRAFLEX.COM |                                 |
| <b>CABLESPHERE MODEL MSRCPN</b><br>NITRILE EXPANSION JOINT, TAPPED BOLT HOLES                           |                                 |
| DRAWN BY: <b>DKISH</b>  | DATE: <b>1/19/2017</b>          |
| APPROVED: <b>JC</b>   | DATE: <b>1/23/2017</b>          |
| SCALE: <b>N/A</b>   | DRAWING NUMBER: <b>MSRCPN-1</b> |