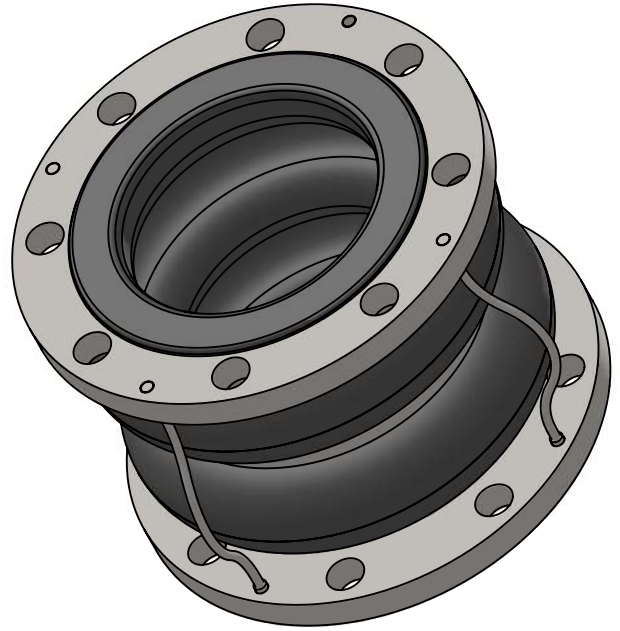
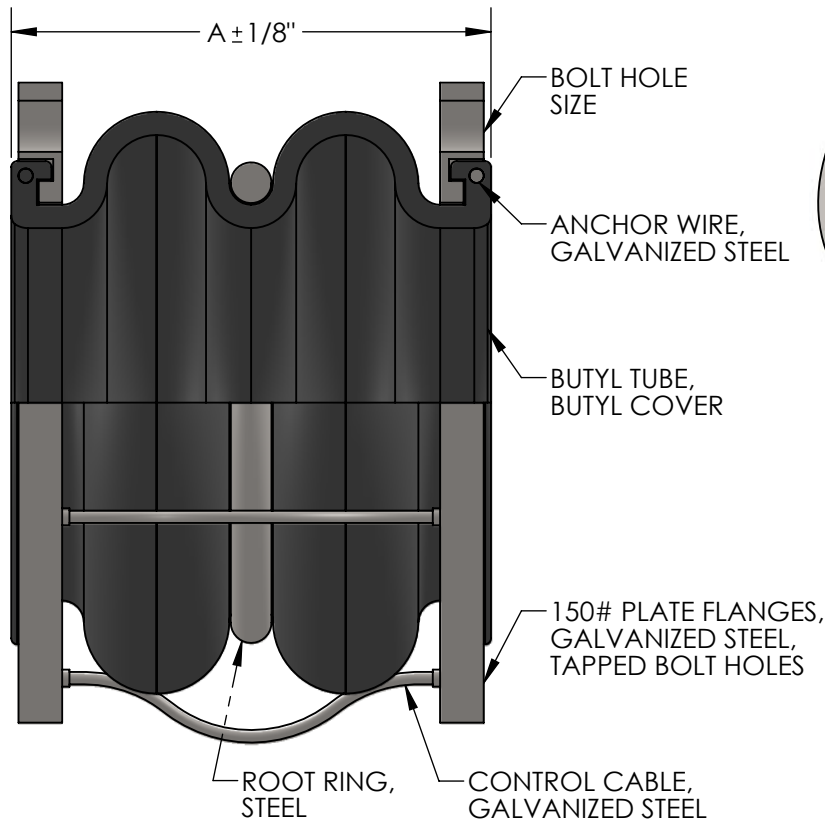


**DOUBLE CABLESPHERE, MODEL DSRCBB
BUTYL EXPANSION JOINT, DRILLED BOLT HOLES**



MAXIMUM OPERATING CONDITIONS

TEMPERATURE	PRESSURE (PSI)
170°	225
180°	200
190°	175
200°	150
210°	125
220°	100
230°	75

MAXIMUM WORKING TEMPERATURE 230 °F

NOTES:
WWW.METRAFLEX.COM FOR INSTALLATION INSTRUCTIONS.
JOINT MUST BE INSTALLED AT ITS NEUTRAL LENGTH.
BOLTS MUST BE PROPERLY TORQUED.
NOT SUITABLE FOR STEAM OR VACUUM APPLICATIONS.

QTY	PART NUMBER	PIPE SIZE		A	AXIAL COMP.	AXIAL EXT.	LATERAL OFFSET	ANGULAR	SPRING RATE (LBS/IN)	WEIGHT (LBS)	BOLT HOLE SIZE	CABLES
		INCH	MM									
	DSRCBB0200	2"	50	7"	2"	3/16"	1"	40°	160	10	3/4"	2
	DSRCBB0250	2-1/2"	65	7"	2"	3/16"	1"	40°	310	13	3/4"	2
	DSRCBB0300	3"	80	7"	2"	3/16"	1"	40°	320	14	3/4"	2
	DSRCBB0400	4"	100	9"	2"	1/4"	1-1/2"	35°	450	15	3/4"	2
	DSRCBB0500	5"	125	9"	2"	1/4"	1-1/2"	30°	360	24	7/8"	4
	DSRCBB0600	6"	150	9"	2"	1/4"	1-1/2"	30°	760	33	7/8"	4
	DSRCBB0800	8"	200	13"	2-3/8"	1/4"	1-3/8"	30°	1030	48	7/8"	4
	DSRCBB1000	10"	250	13"	2-3/8"	1/4"	1-3/8"	30°	680	65	1"	4
	DSRCBB1200	12"	300	13"	2-3/8"	1/4"	1-3/8"	20°	950	103	1"	4


NSF 372 - LEAD FREE

The wetted surface of this product contacted by consumable water contains less than one quarter of one percent (0.25%) of lead by weight. Material complies with state codes and standards, where applicable, requiring reduced lead content.

CUSTOMER: _____

PROJECT: _____

ENGINEER: _____

REV.	DATE
	
2323 W. HUBBARD ST. CHICAGO, IL 60612 TEL: 312-738-3800 FAX: 312-738-0415 WWW.METRAFLEX.COM	
CABLESPHERE MODEL DSRCBB BUTYL EXPANSION JOINT, DRILLED BOLT HOLES	
DRAWN BY: DKISH	DATE: 1/24/2017
APPROVED: JC	DATE: 1/27/2017
SCALE: N/A	DRAWING NUMBER: DSRCBB-1