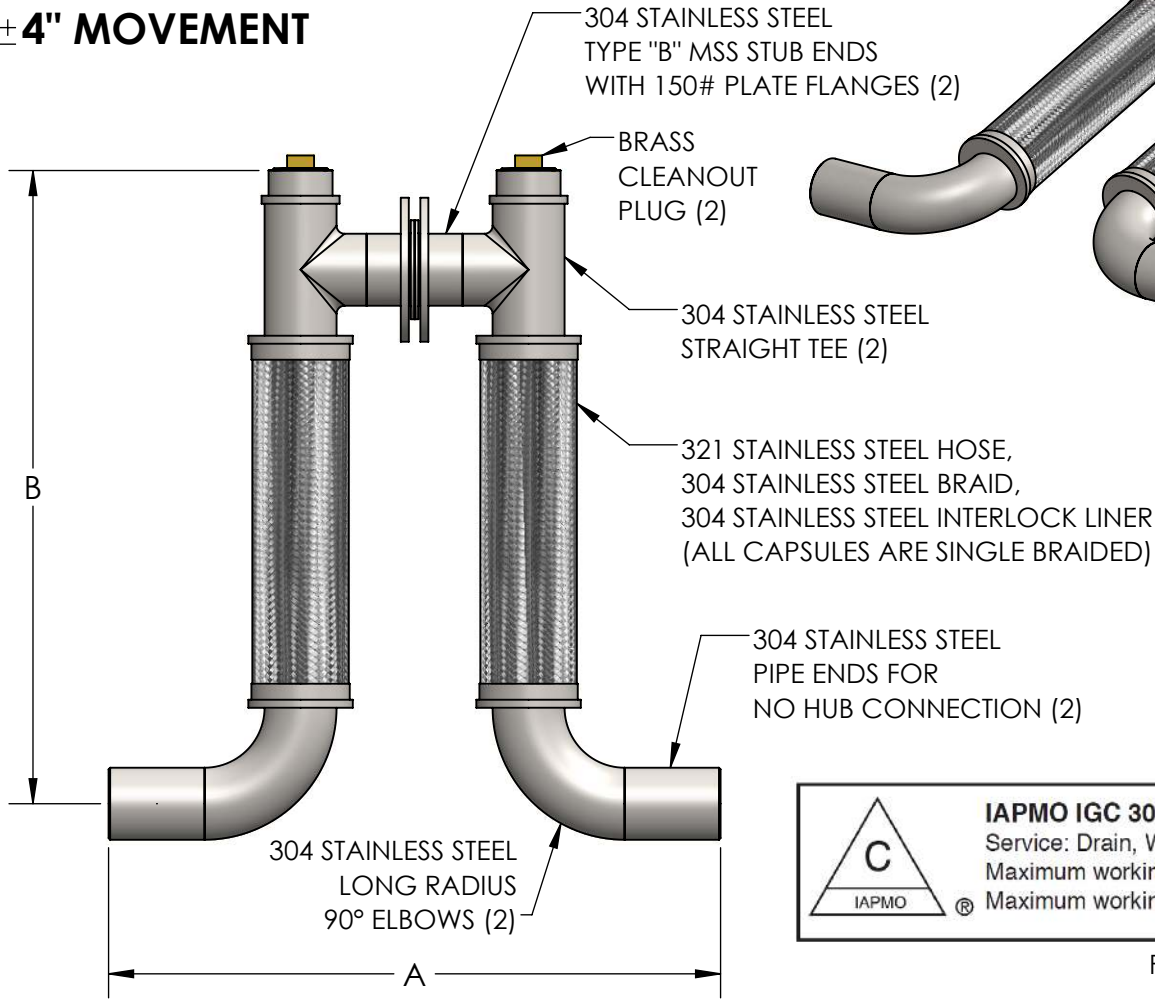


D.W.V. METRALOOP NO HUB CONNECTION ±4" MOVEMENT



NOTE: D.W.V. METRALOOPS INSTALLED IN ANY ORIENTATION OTHER THAN HANGING DOWN MUST HAVE THE 180° RETURN SUPPORTED. (SEE INSTALLATION INSTRUCTIONS.)

CONTACT FACTORY FOR ADDITIONAL SIZES AND MOVEMENTS. ALL DIMENSIONS IN INCHES.

QTY	SIZE	MODEL	MVMT	A	B	PSI*	SPRING FORCE**	PROJECT INFO
	4"	MLWILP80400	±4"	38.25"	39"	150	375	
	5"	MLWILP80500	±4"	42.75"	43"	150	405	

*Working temperature listed is the rating at 70°F. Contact factory for other pressure ratings at other temperatures.

**Spring force: The total force (Lbs) required to move the Metraloop its full rated movement for 150 PSI @ 70°F.

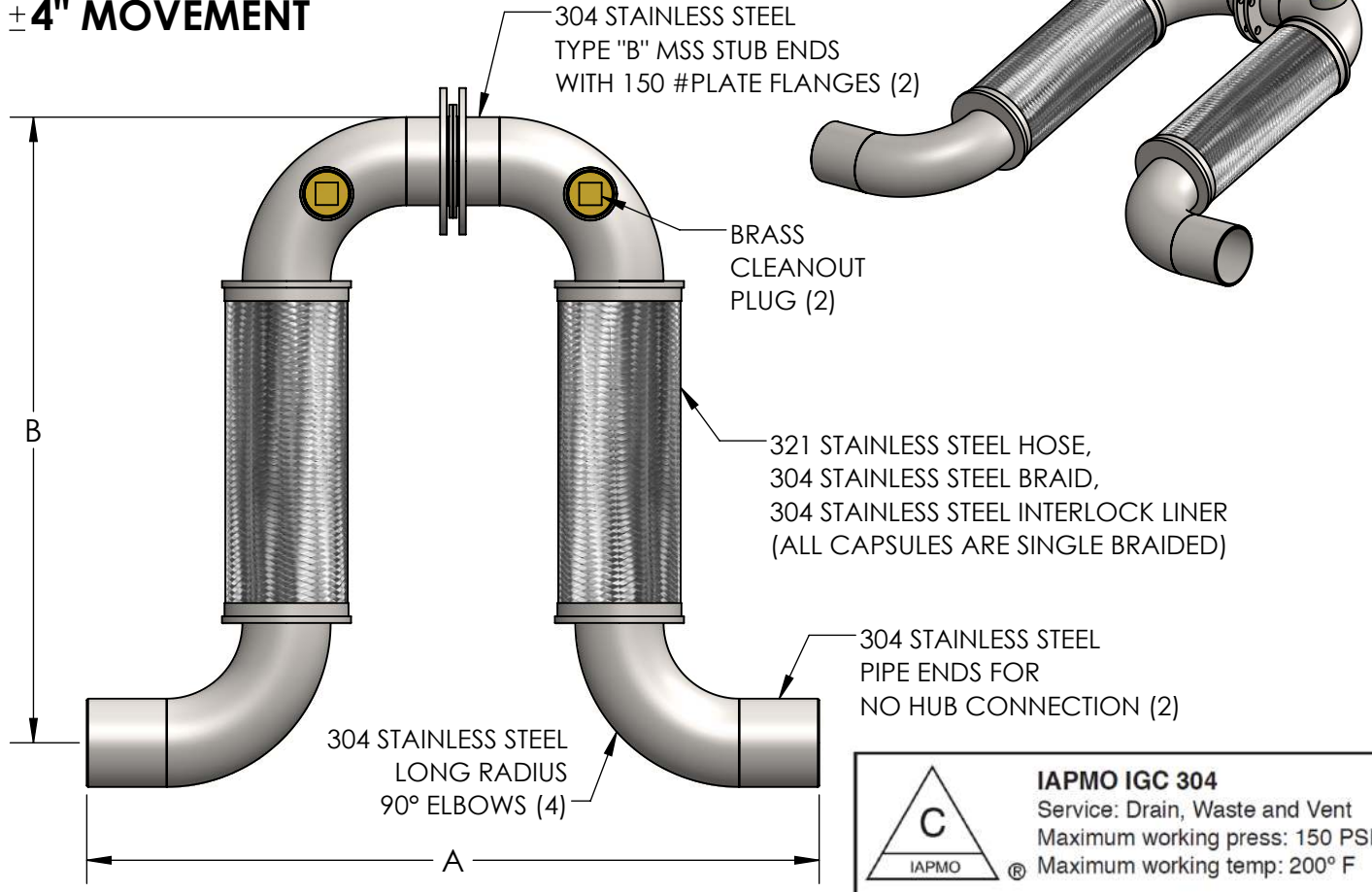
CUSTOMER: _____

PROJECT: _____

ENGINEER: _____

REV.	DATE
2323 W. HUBBARD ST. CHICAGO, IL 60612 TEL: 312-738-3800 FAX: 312-738-0415 WWW.METRAFLEX.COM	
D.W.V. METRALOOP, NO HUB CONNECTION, ±4" MOVEMENT	
DRAWN BY: DKISH	DATE: 5/29/2015
APPROVED: JC	DATE: 5/29/2015
SCALE: N/A	DRAWING NUMBER: MLWILP8-4AND5

D.W.V. METRALOOP NO HUB CONNECTION ±4" MOVEMENT



	IAPMO IGC 304 Service: Drain, Waste and Vent Maximum working press: 150 PSI Maximum working temp: 200° F
--	--

File No. C-9261

NOTE: D.W.V. METRALOOPS INSTALLED IN ANY ORIENTATION OTHER THAN HANGING DOWN MUST HAVE THE 180° RETURN SUPPORTED. (SEE INSTALLATION INSTRUCTIONS.)

CONTACT FACTORY FOR ADDITIONAL SIZES AND MOVEMENTS. ALL DIMENSIONS IN INCHES.

QTY	SIZE	MODEL	MVMT	A	B	PSI*	SPRING FORCE**	PROJECT INFO
	6"	MLWILP800600	±4"	55"	47"	150	520	
	8"	MLWILP800800	±4"	68"	56"	150	600	
	10"	MLWILP801000	±4"	82"	66"	150	800	
	12"	MLWILP801200	±4"	96"	74"	150	1400	

*Working temperature listed is the rating at 70°F. Contact factory for other pressure ratings at other temperatures.

**Spring force: The total force (Lbs) required to move the Metraloop its full rated movement for 150 PSI @ 70°F.

CUSTOMER: _____

PROJECT: _____

ENGINEER: _____

REV.	DATE
2323 W. HUBBARD ST. CHICAGO, IL 60612 TEL: 312-738-3800 FAX: 312-738-0415 WWW.METRAFLEX.COM	
D.W.V. METRALOOP, NO HUB CONNECTION, ±4" MOVEMENT	
DRAWN BY: DKISH	DATE: 5/29/2015
APPROVED: JC	DATE: 5/29/2015
SCALE: N/A	DRAWING NUMBER: MLWILP8-6TO12