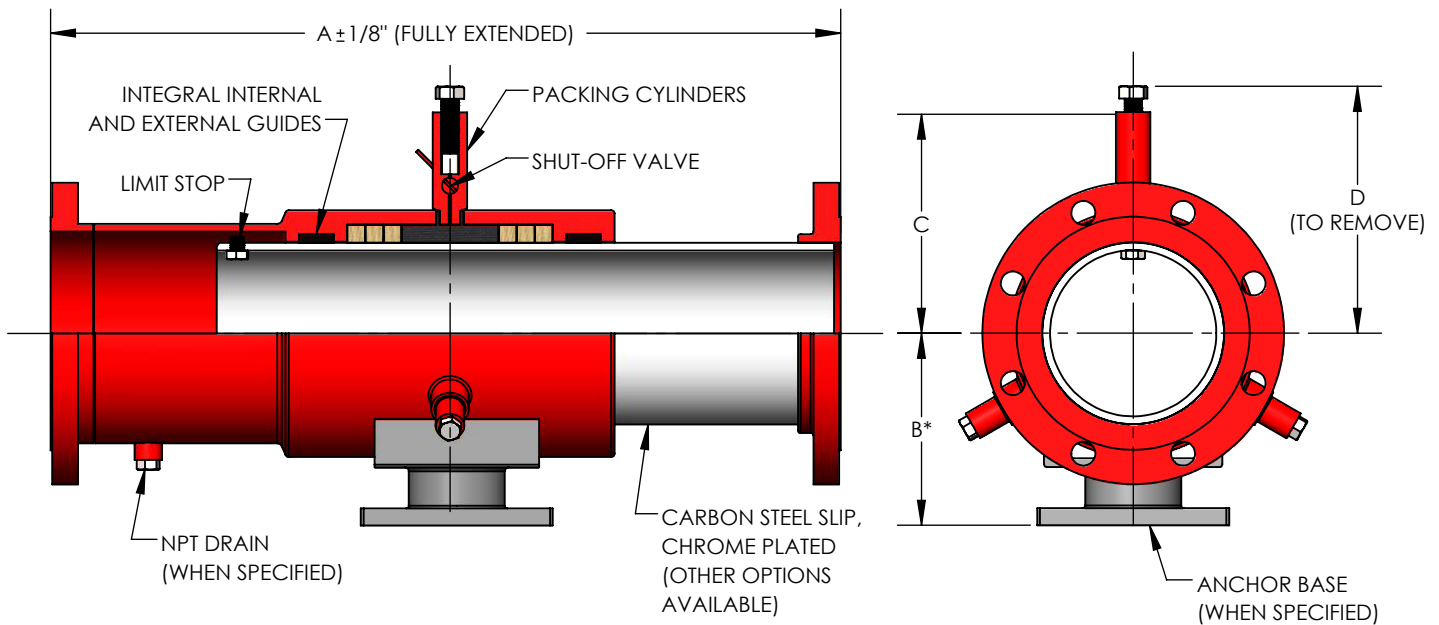


# SINGLE METRAPAK - SLIP-TYPE EXPANSION JOINT - FLANGED ENDS



## 150# DIMENSIONS

QTY	SIZE	A - MOVEMENT			B *WITH BASE	C	D
		4"	8"	12"			
	1-1/4"	18-7/8"	26-7/8"	34-7/8"	3-5/8"	5-3/16"	8-1/16"
	1-1/2"	19"	27"	35"	3-3/4"	5-1/4"	8-1/8"
	2"	19-1/4"	27-1/4"	35-1/4"	4-1/8"	5-9/16"	8-7/16"
	2-1/2"	19-1/2"	27-1/2"	35-1/2"	4-1/2"	5-7/8"	8-3/4"
	3"	21-7/8"	29-7/8"	37-7/8"	4-7/8"	6-1/4"	9-1/8"
	3-1/2"	22"	30"	38"	5-1/4"	6-1/2"	9-3/8"
	4"	22-1/8"	30-1/8"	38-1/8"	5-1/2"	6-3/4"	9-5/8"
	5"	22-5/8"	30-5/8"	38-5/8"	6-1/4"	7-3/8"	10-1/4"
	6"	23"	31"	39"	7"	7-7/8"	10-3/4"
	8"	23-3/8"	31-3/8"	39-3/8"	8-3/8"	8-3/4"	11-5/8"
	10"	23-3/4"	31-3/4"	39-3/4"	9-3/4"	9-7/8"	12-3/4"
	12"	24-1/2"	32-1/2"	40-1/2"	11"	10-15/16"	13-13/16"
	14"	27-1/4"	35-1/4"	43-1/4"	11-1/2"	11-3/4"	14-5/8"
	16"	27-7/8"	35-7/8"	43-7/8"	12-3/4"	12-3/4"	15-5/8"
	18"	28-3/8"	36-3/8"	44-3/8"	13-1/2"	13-3/4"	16-5/8"
	20"	28-3/4"	36-3/4"	44-3/4"	14-3/4"	14-3/4"	17-5/8"
	24"	29-1/2"	37-1/2"	45-1/2"	17"	16-3/4"	19-5/8"

## 300# DIMENSIONS

QTY	SIZE	A - MOVEMENT			B *WITH BASE	C	D
		4"	8"	12"			
	1-1/4"	19-3/8"	27-3/8"	35-3/8"	3-5/8"	6-11/16"	9-1/2"
	1-1/2"	19-5/8"	27-5/8"	35-5/8"	3-3/4"	6-3/4"	9-9/16"
	2"	19-3/4"	27-3/4"	35-3/4"	4-1/8"	7-1/16"	9-7/8"
	2-1/2"	20-1/8"	28-1/8"	36-1/8"	4-1/2"	7-3/8"	10-3/16"
	3"	22-3/4"	30-3/4"	38-3/4"	4-7/8"	7-3/4"	10-9/16"
	3-1/2"	22-7/8"	30-7/8"	38-7/8"	5-1/4"	8"	10-13/16"
	4"	23-1/4"	31-1/4"	39-1/4"	5-1/2"	8-1/4"	11-1/16"
	5"	23-3/4"	31-3/4"	39-3/4"	6-1/4"	8-7/8"	11-11/16"
	6"	24"	32"	40"	7"	9-3/8"	12-3/16"
	8"	24-3/4"	32-3/4"	40-3/4"	8-3/8"	10-1/4"	13-1/16"
	10"	25-1/8"	33-1/8"	41-1/8"	9-3/4"	11-3/8"	14-3/16"
	12"	25-7/8"	33-7/8"	41-7/8"	11"	12-7/16"	15-1/4"
	14"	28-3/4"	36-3/4"	44-3/4"	12-1/2"	13-1/4"	16-1/16"
	16"	29-3/8"	37-3/8"	45-3/8"	13-1/2"	14-1/4"	17-1/16"
	18"	30"	38"	46"	15"	15-1/4"	18-1/16"
	20"	30-1/2"	38-1/2"	46-1/2"	16-1/4"	16-1/4"	19-1/16"
	24"	31-3/8"	39-3/8"	47-3/8"	19"	18-1/4"	21-1/16"

EXPANSION JOINTS SHIP IN THE FULLY EXTENDED POSITION FOR COMPRESSION ONLY. JOINTS ARE NOT PRE-SET FOR EXTENSION UNLESS SPECIFIED. EXPANSION JOINTS ARE DESIGNED FOR AXIAL MOVEMENT ONLY. PIPE MUST BE PROPERLY GUIDED AND ANCHORED PER THE RECOMMENDATIONS OF THE EXPANSION JOINT MANUFACTURERS ASSOCIATION.


### NSF 372 - LEAD FREE

The wetted surface of this product contacted by consumable water contains less than one quarter of one percent (0.25%) of lead by weight. Material complies with state codes and standards, where applicable, requiring reduced lead content.

CUSTOMER: \_\_\_\_\_

PROJECT: \_\_\_\_\_

ENGINEER: \_\_\_\_\_

REV.	DATE
	
2323 W. HUBBARD ST. CHICAGO, IL 60612 TEL: 312-738-3800 FAX: 312-738-0415 WWW.METRAFLEX.COM	
<h2>METRAPAK</h2> SLIP-TYPE EXPANSION JOINTS, FLANGED ENDS	
DRAWN BY: <b>DKISH</b>	DATE: <b>3/22/2019</b>
APPROVED: <b>JR</b>	DATE: <b>3/22/2019</b>
SCALE: <b>NTS</b>	DRAWING NUMBER: <b>PAKSF-1</b>