

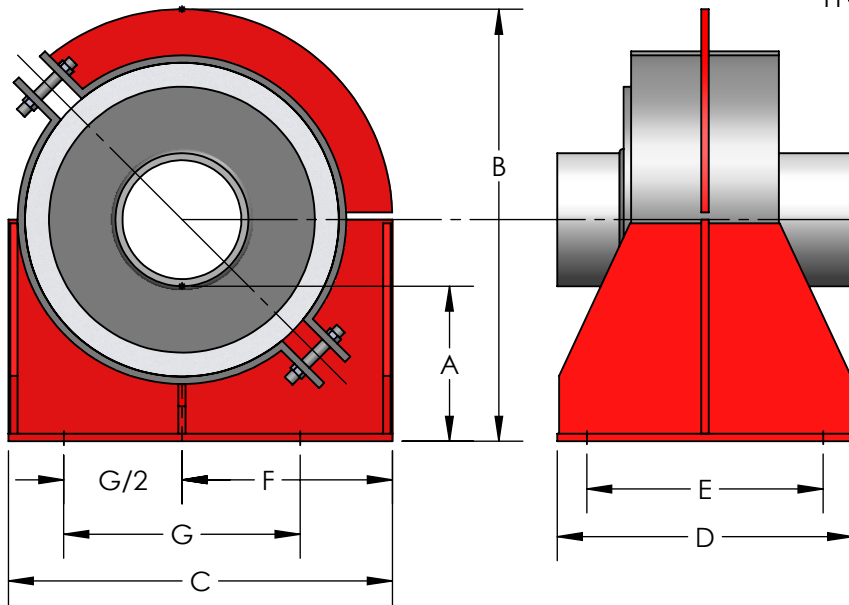
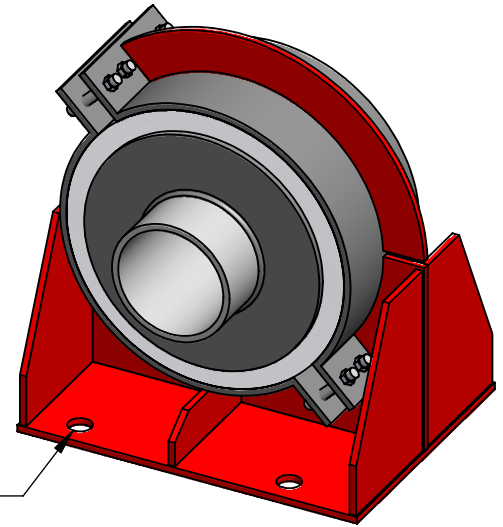
**MODEL PAPI  
PRE-INSULATED ANCHOR**

**ANCHOR HARDWARE**

AVAILABLE MATERIALS: CARBON STEEL OR STAINLESS STEEL  
POWDER-COATED FINISH (CARBON STEEL ONLY 2 MIL)

**INSULATION INSERT**

360° ASBESTOS-FREE XONOLITE CALCIUM SILICATE -  
900 PSI COMPRESSIVE STRENGTH (10" AND 12" - 1600 PSI)  
K-FACTOR: .66 @ 400°F (10" AND 12" - .70 @ 400°F)  
MEETS ASTM C-533, C-585, C-795, E-72, AND E-84.  
FLAME SPREAD -0-, SMOKE DEVELOPED -0-  
ALL UNITS INCLUDE A VAPOR BARRIER JACKET MEETING ASTM D-744  
AND PROTECTION SHIELD OF GALVANIZED OR STAINLESS STEEL



COMPLETELY ASSEMBLED. READY TO BE  
WELDED TO PIPE AND BOLTED OR  
WELDED TO STRUCTURE.

HIGH ANCHOR LOADS. NO METAL TO  
METAL CONTACT. PRE-INSULATED  
ANCHORS DELIVER MAXIMUM  
INSULATION EFFECTIVENESS AND  
ENERGY SAVINGS. UNIQUE DESIGN AND  
HIGH COMPRESSIVE STRENGTH  
INSULATION ALLOWS THIS ANCHOR TO  
SUPPORT WORKING LOADS UP TO  
30,500 LBS AND TEST LOADS OF UP  
TO 45,750 LBS.

MAXIMUM WORKING TEMPERATURE: 1200°F

QTY	PART NUMBER	PIPE SIZE	ANCHOR DIMENSIONS								WORKING LOADS	INSULATION THICKNESS
			A	B	C	D	E	F	G	H		
	PAPI0150	1-1/2"	5.56"	12.13"	10.00"	8.00"	6.00"	5.63"	5.00"	0.63"	2,200 LBS	2"
	PAPI0200	2"	5.31"	12.13"	10.00"	8.00"	6.00"	5.63"	5.00"	0.63"	2,200 LBS	2"
	PAPI0250	2-1/2"	5.63"	13.68"	12.00"	8.00"	6.00"	6.63"	7.00"	0.63"	5,750 LBS	2-1/2"
	PAPI0300	3"	5.31"	13.68"	12.00"	8.00"	6.00"	6.63"	7.00"	0.63"	5,750 LBS	2-1/2"
	PAPI0400	4"	5.31"	14.63"	12.75"	10.00"	8.00"	7.06"	8.00"	0.88"	7,150 LBS	2-1/2"
	PAPI0500	5"	5.31"	15.75"	14.00"	10.00"	8.00"	7.69"	9.00"	0.88"	9,100 LBS	2-1/2"
	PAPI0600	6"	5.38"	17.38"	16.00"	12.00"	10.00"	8.69"	11.00"	0.88"	12,800 LBS	3"
	PAPI0800	8"	6.81"	21"	18.75"	12.00"	10.00"	10.06"	13.00"	1.13"	17,500 LBS	3"
	PAPI1000	10"	7.00"	24.38"	22.50"	20.00"	16.00"	12.00"	15.00"	1.63"	24,500 LBS	3"
	PAPI1200	12"	7.19"	26.50"	24.50"	22.00"	18.00"	12.94"	17.00"	1.63"	30,500 LBS	3"

CUSTOMER: \_\_\_\_\_

PROJECT: \_\_\_\_\_

ENGINEER: \_\_\_\_\_

REV.	DATE
2323 W. HUBBARD ST. CHICAGO, IL 60612 TEL: 312-738-3800 FAX: 312-738-0415 WWW.METRAFLEX.COM	
<b>MODEL PAPI</b> PRE-INSULATED ANCHOR	
DRAWN BY: <b>DKISH</b>	DATE: <b>3/15/2019</b>
APPROVED:	DATE:
SCALE: <b>N/A</b>	DRAWING NUMBER: <b>PAPI-2</b>