

Model PGPRE Insulated Spider Guide With 1.5" insulation.

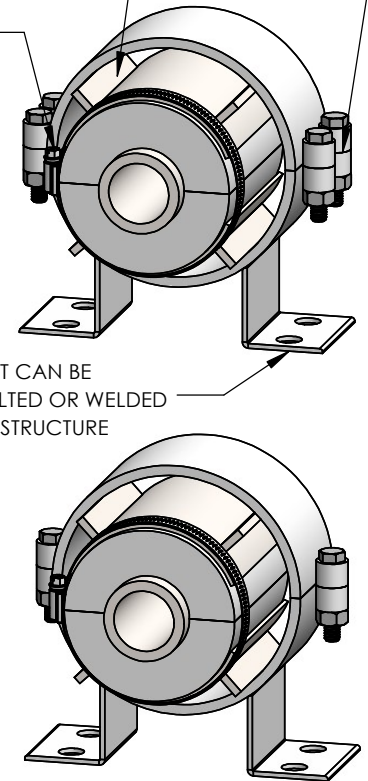
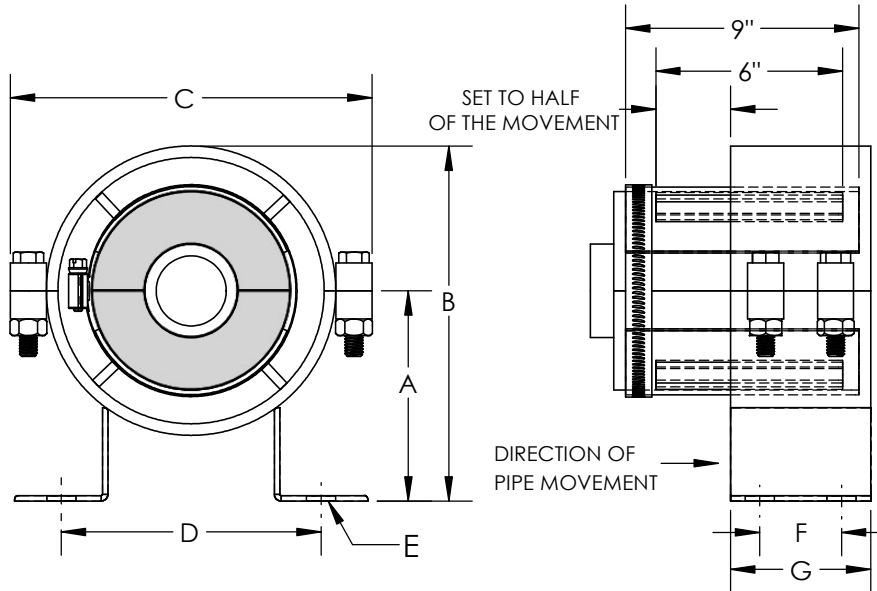
Material : ASTM A-134 carbon steel.
Insulation: Johns Manville T-1200 Calcium Silicate
with a 450 PSI compressive strength per
ASTM C656, Type II, Grade 5

SPIDER SPACERS CENTER
PIPE IN HOUSING

SPLIT HOUSING
FOR EASY
INSTALLATION

BAND
CLAMP

FEET CAN BE
BOLTED OR WELDED
TO STRUCTURE



PROVIDES LATERAL STABILITY TO THE PIPE TO PREVENT "BOWING".
GUIDES ARE NOT DESIGNED TO SUPPORT THE WEIGHT OF THE PIPE.

For sizes 0.5" to 5", The housing will
have 2 bolts, larger sizes have 4 bolts.

NPS	Insul Thkns	Part No.	A	B	C	D	E	F	G	Weight
.5"	1.5"	PGPRE250050	4.375	7.625	8	5.375	0.625	1.75	3	10
.75"	1.5"	PGPRE250075	4.375	7.625	8	5.375	0.625	1.75	3	10
1"	1.5"	PGPRE250100	4.375	7.625	8	5.375	0.625	1.75	3	10
1.25"	1.5"	PGPRE260125	5.25	9.25	10	6.375	0.625	1.75	3	13
1.5"	1.5"	PGPRE260150	5.25	9.25	10	6.375	0.625	1.75	3	13
2"	1.5"	PGPRE260200	5.25	9.25	10	6.375	0.625	1.75	3	13
2.5"	1.5"	PGPRE270250	6.25	11.625	12.125	7.125	0.625	2.75	4	20
3"	1.5"	PGPRE270300	6.25	11.625	12.125	7.125	0.625	2.75	4	20
4"	1.5"	PGPRE270400	6.25	11.625	12.125	7.125	0.625	2.75	4	20
5"	1.5"	PGPRE280500	7	13.375	14.125	8.375	0.625	2.75	4	25
6"	1.5"	PGPRE280600	7	13.375	14.125	8.375	0.625	2.75	4	25
8"	1.5"	PGPRE300800	8.875	16.875	18.125	10.875	0.75	4	6	45
10"	1.5"	PGPRE311000	9.625	18.625	20.125	10.875	0.75	4	6	55
12"	1.5"	PGPRE321200	10.875	20.875	22.125	11.75	0.75	4	6	65
14"	1.5"	PGPRE321400	10.875	20.875	22.125	11.75	0.75	4	6	65
16"	1.5"	PGPRE331600	12.125	23.125	24.125	14.5	0.875	6	8	95
18"	1.5"	PGPRE341800	12.875	24.875	26.125	15.5	0.875	6	8	100

NSF 372 - LEAD FREE

The wetted surface of this product contacted by consumable water contain less than one quarter of one percent (0.25%) of lead by weight. Material complies with state codes and standards, where applicable, requiring reduced lead content.

CUSTOMER: _____

PROJECT: _____

ENGINEER: _____

Metraflex
for pipes in motion

2323 W. HUBBARD ST.
CHICAGO, IL 60612
TEL: 312-738-3800
FAX: 312-738-0415
WWW.METRAFLEX.COM

MODEL PGPRE WITH 1.5" INSULATION

DRAWN BY: **BK**

DATE: **9/30/21**

APPROVED:

DATE:

SCALE:
N/A

DRAWING NUMBER: PGPRE