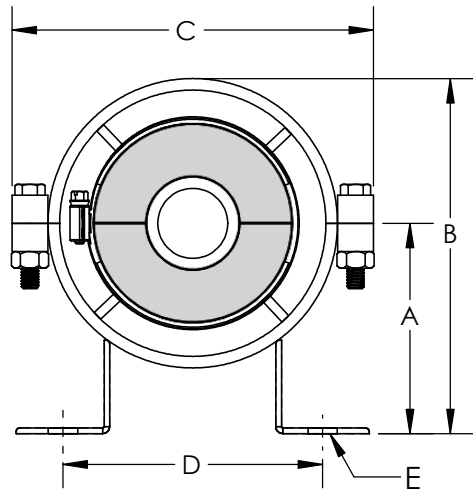


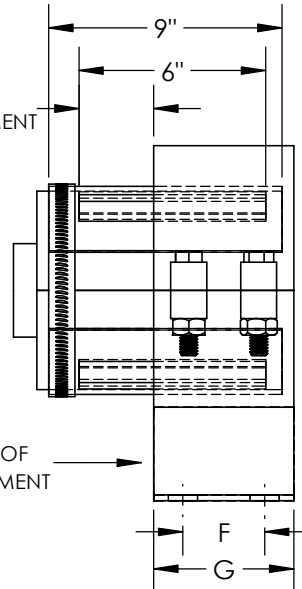
## Model PGPRE Insulated Spider Guide With 2" insulation.

Material : ASTM A-134 carbon steel.  
Insulation: Johns Manville T-1200 Calcium Silicate  
with a 450 PSI compressive strength per  
ASTM C656, Type II, Grade 5



SET TO HALF  
OF THE MOVEMENT

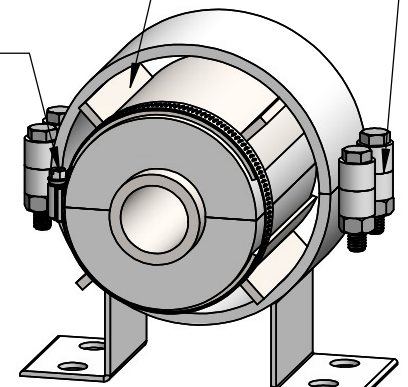
DIRECTION OF  
PIPE MOVEMENT



SPIDER SPACERS CENTER  
PIPE IN HOUSING

SPLIT HOUSING  
FOR EASY  
INSTALLATION

BAND  
CLAMP



FEET CAN BE  
BOLTED OR WELDED  
TO STRUCTURE

PROVIDES LATERAL STABILITY TO THE PIPE TO PREVENT "BOWING".  
GUIDES ARE NOT DESIGNED TO SUPPORT THE WEIGHT OF THE PIPE.

NPS	Insul Thkns	Part No.	A	B	C	D	E	F	G	Weight
.5"	2"	PGPRE260050	5.25	9.25	10	6.375	0.625	1.75	3	13
.75"	2"	PGPRE260075	5.25	9.25	10	6.375	0.625	1.75	3	13
1"	2"	PGPRE260100	5.25	9.25	10	6.375	0.625	1.75	3	13
1.25"	2"	PGPRE260125	5.25	9.25	10	6.375	0.625	1.75	3	13
1.5"	2"	PGPRE270150	6.25	11.625	12.125	7.125	0.625	2.75	4	20
2"	2"	PGPRE270200	6.25	11.625	12.125	7.125	0.625	2.75	4	20
2.5"	2"	PGPRE270250	6.25	11.625	12.125	7.125	0.625	2.75	4	20
3"	2"	PGPRE270300	6.25	11.625	12.125	7.125	0.625	2.75	4	20
4"	2"	PGPRE280400	7	13.375	14.125	8.375	0.625	2.75	4	25
5"	2"	PGPRE280500	7	13.375	14.125	8.375	0.625	2.75	4	25
6"	2"	PGPRE280600	7.875	14.875	16.125	9.875	0.75	4	6	40
8"	2"	PGPRE300800	8.875	16.875	18.125	10.875	0.75	4	6	45
10"	2"	PGPRE311000	9.625	18.625	20.125	11.875	0.75	4	6	55
12"	2"	PGPRE321200	10.875	20.875	22.125	11.75	0.75	4	6	65
14"	2"	PGPRE331400	12.125	23.125	24.125	14.5	0.875	6	8	95
16"	2"	PGPRE341600	12.875	24.875	26.125	15.5	0.875	6	8	100
18"	2"	PGPRE381800	14.625	27.625	28.125	17.125	1.125	6	8	120

### NSF 372 - LEAD FREE

The wetted surface of this product contacted by consumable water contain less than one quarter of one percent (0.25%) of lead by weight. Material complies with state codes and standards, where applicable, requiring reduced lead content.

CUSTOMER: \_\_\_\_\_

PROJECT: \_\_\_\_\_

ENGINEER: \_\_\_\_\_



### MODEL PGPRE WITH 2" INSULATION

DRAWN BY: **BK**

DATE: **9/30/21**

APPROVED:

DATE:

SCALE:  
N/A

DRAWING NUMBER: PGPRE