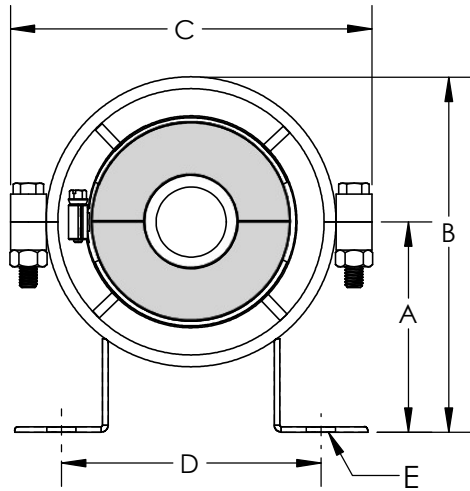


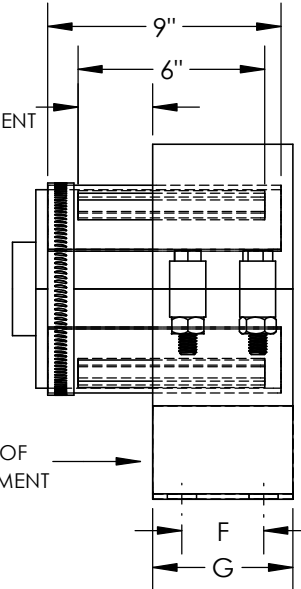
Model PGPRE Insulated Spider Guide With 3" insulation.

Material : ASTM A-134 carbon steel.
Insulation: Johns Manville T-1200 Calcium Silicate
with a 450 PSI compressive strength per
ASTM C656, Type II, Grade 5



SET TO HALF
OF THE MOVEMENT

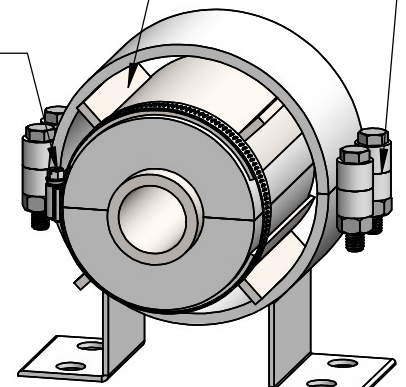
DIRECTION OF
PIPE MOVEMENT



SPIDER SPACERS CENTER
PIPE IN HOUSING

SPLIT HOUSING
FOR EASY
INSTALLATION

BAND
CLAMP



FEET CAN BE
BOLTED OR WELDED
TO STRUCTURE

PROVIDES LATERAL STABILITY TO THE PIPE TO PREVENT "BOWING".
GUIDES ARE NOT DESIGNED TO SUPPORT THE WEIGHT OF THE PIPE.

NPS	Insul Thkns	Part No.	A	B	C	D	E	F	G	Weight
.5"	3"	PGPRE270050	6.25	11.625	12.125	7.125	0.625	2.75	4	20
.75"	3"	PGPRE270075	6.25	11.625	12.125	7.125	0.625	2.75	4	20
1"	3"	PGPRE270100	6.25	11.625	12.125	7.125	0.625	2.75	4	20
1.25"	3"	PGPRE270125	6.25	11.625	12.125	7.125	0.625	2.75	4	20
1.5"	3"	PGPRE280150	7	13.375	14.125	8.375	0.625	2.75	4	25
2"	3"	PGPRE280200	7	13.375	14.125	8.375	0.625	2.75	4	25
2.5"	3"	PGPRE280250	7	13.375	14.125	8.375	0.625	2.75	4	25
3"	3"	PGPRE280300	7	13.375	14.125	8.375	0.625	2.75	4	25
4"	3"	PGPRE290400	7.875	14.875	16.125	9.875	0.75	4	6	40
5"	3"	PGPRE300500	8.875	16.875	18.125	10.875	0.75	4	6	45
6"	3"	PGPRE300600	8.875	16.875	18.125	10.875	0.75	4	6	45
8"	3"	PGPRE310800	9.625	18.625	20.125	11.875	0.75	4	6	55
10"	3"	PGPRE321000	10.875	20.875	22.125	11.75	0.75	4	6	65
12"	3"	PGPRE331200	12.125	23.125	24.125	14.5	0.875	6	8	95
14"	3"	PGPRE341400	12.875	24.875	26.125	15.5	0.875	6	8	100
16"	3"	PGPRE351600	14.625	27.625	28.125	17.125	1.125	6	8	120
18"	3"	PGPRE361800	16.1875	31.1875	32.125	19.25	1.125	6	8	150

NSF 372 - LEAD FREE

The wetted surface of this product contacted by consumable water contain less than one quarter of one percent (0.25%) of lead by weight. Material complies with state codes and standards, where applicable, requiring reduced lead content.

CUSTOMER: _____

PROJECT: _____

ENGINEER: _____



MODEL PGPRE WITH 3" INSULATION

DRAWN BY: **BK**

DATE: **9/30/21**

APPROVED:

DATE:

SCALE:
N/A

DRAWING NUMBER: PGPRE