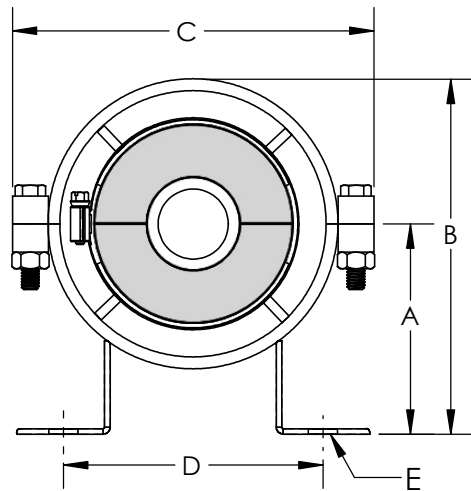


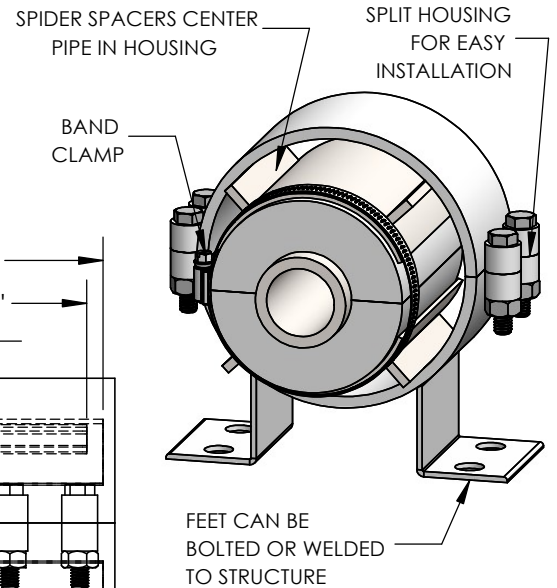
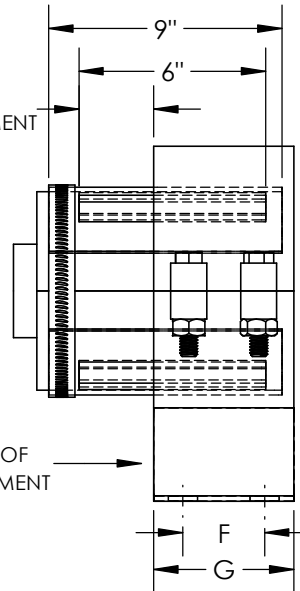
Model PGPRE Insulated Spider Guide With 4" insulation.

Material : ASTM A-134 carbon steel.
Insulation: Johns Manville T-1200 Calcium Silicate
with a 450 PSI compressive strength per
ASTM C656, Type II, Grade 5



SET TO HALF
OF THE MOVEMENT

DIRECTION OF
PIPE MOVEMENT



PROVIDES LATERAL STABILITY TO THE PIPE TO PREVENT "BOWING".
GUIDES ARE NOT DESIGNED TO SUPPORT THE WEIGHT OF THE PIPE.

NPS	Insul Thkns	Part No.	A	B	C	D	E	F	G	Weight
.5"	4"	PGPRE280050	7	13.375	14.125	8.375	0.625	2.75	4	25
.75"	4"	PGPRE280075	7	13.375	14.125	8.375	0.625	2.75	4	25
1"	4"	PGPRE280100	7	13.375	14.125	8.375	0.625	2.75	4	25
1.25"	4"	PGPRE280125	7	13.375	14.125	8.375	0.625	2.75	4	25
1.5"	4"	PGPRE290150	7.875	14.875	16.125	9.875	0.75	4	6	40
2"	4"	PGPRE290200	7.875	14.875	16.125	9.875	0.75	4	6	40
2.5"	4"	PGPRE300250	8.875	16.875	18.125	10.875	0.75	4	6	45
3"	4"	PGPRE300300	8.875	16.875	18.125	10.875	0.75	4	6	45
4"	4"	PGPRE300400	8.875	16.875	18.125	10.875	0.75	4	6	45
5"	4"	PGPRE310500	9.625	18.625	20.125	11.875	0.75	4	6	55
6"	4"	PGPRE310600	9.625	18.625	20.125	11.875	0.75	4	6	55
8"	4"	PGPRE320800	10.875	20.875	22.125	11.75	0.75	4	6	65
10"	4"	PGPRE331000	12.125	23.125	24.125	14.5	0.875	6	8	95
12"	4"	PGPRE341200	12.875	24.875	26.125	15.5	0.875	6	8	100
14"	4"	PGPRE351400	14.625	27.625	28.125	17.125	1.125	6	8	120
16"	4"	PGPRE361600	16.1875	31.1875	32.125	19.25	1.125	6	8	150
18"	4"	PGPRE361800	16.1875	31.1875	32.125	19.25	1.125	6	8	150


NSF 372 - LEAD FREE

The wetted surface of this product contacted by consumable water contain less than one quarter of one percent (0.25%) of lead by weight. Material complies with state codes and standards, where applicable, requiring reduced lead content.

CUSTOMER: _____

PROJECT: _____

ENGINEER: _____



Metraflex
for pipes in motion

2323 W. HUBBARD ST.
CHICAGO, IL 60612
TEL: 312-738-3800
FAX: 312-738-0415
WWW.METRAFLEX.COM

MODEL PGPRE

WITH 4" INSULATION

DRAWN BY: BK	DATE: 9/30/21
APPROVED:	DATE:
SCALE: N/A	DRAWING NUMBER: PGPRE