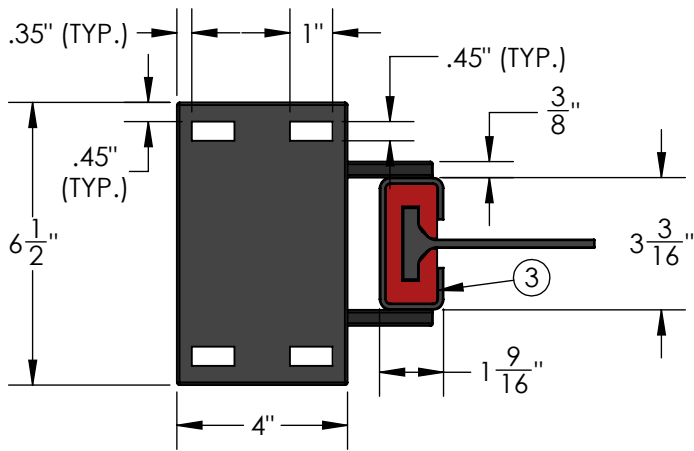
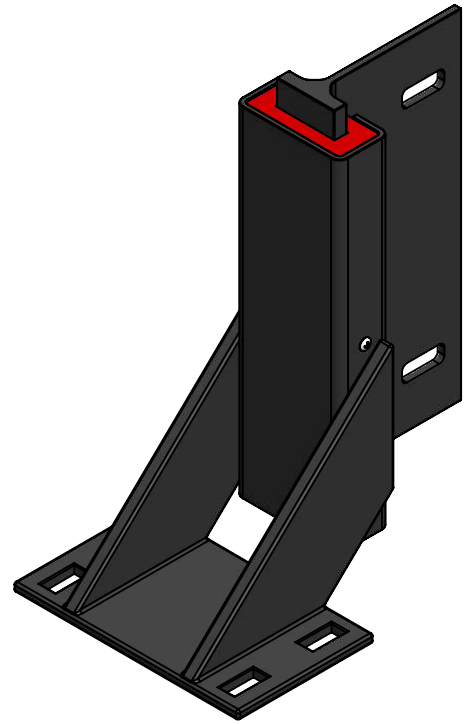
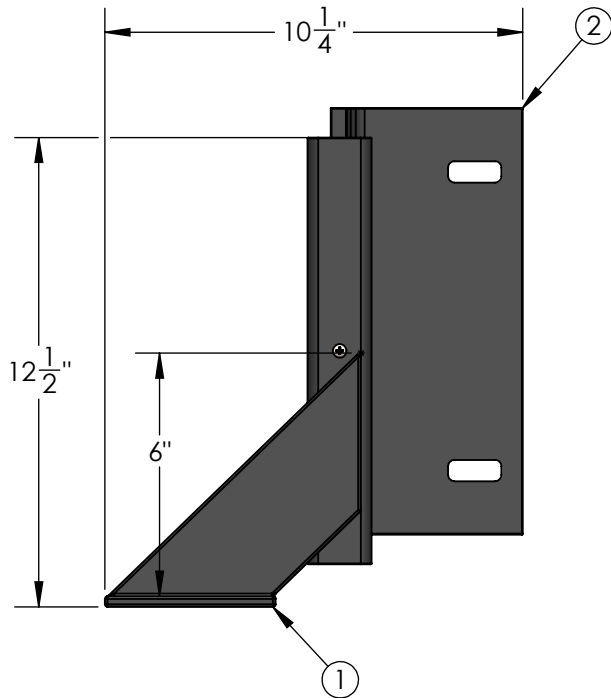


**MODEL PGQ
RISER PIPE GUIDE
WITH POLYURETHANE LOAD BEARING ISOLATOR**



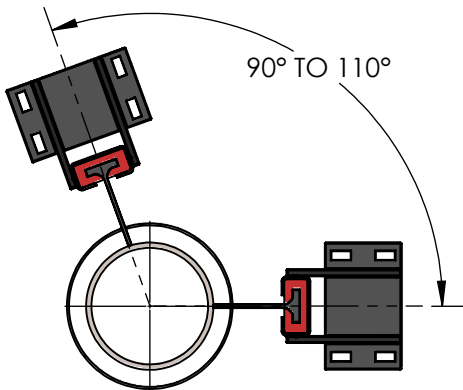
MATERIALS OF CONSTRUCTION

1. BASE PLATE - ASTM A-134 CARBON STEEL
2. T-SLIDE - ASTM A-134 CARBON STEEL
3. PLBI* - POLYURETHANE

*POLYURETHANE LOAD BEARING ISOLATOR

DESIGN DATA

- MAX TEMPERATURE: 250°F
- MIN TEMPERATURE: -10°F
- MAX MOVEMENT: 5"
- MIN PLBI TO T-SLIDE CONTACT: 6"
- SELF-LUBRICATING AND MAINTENANCE FREE



NOTE: FOR PIPE DIAMETERS LARGER THAN 4", TWO PGQ RISER PIPE GUIDES MUST BE INSTALLED IN THE ORIENTATION SHOWN HERE.

CUSTOMER: _____

PROJECT: _____

ENGINEER: _____

REV.	DATE
2323 W. HUBBARD ST. CHICAGO, IL 60612 TEL: 312-738-3800 FAX: 312-738-0415 WWW.METRAFLEX.COM	
MODEL PGQ RISER PIPE GUIDE	
DRAWN BY: DKISH	DATE: 6/29/2021
APPROVED: JC	DATE: 6/29/2021
SCALE: N/A	DRAWING NUMBER: PGQ-1