

**Note:** All published guide spacing recommendations are for horizontal pipe. Risers develop loads differently than horizontal pipe. Please consult [“Understanding The Dynamic Of Riser Design In Skyscrapers”](#) white paper found on [www.metraflex.com](http://www.metraflex.com), or consult Metraflex if you need assistance determining guide spacing for risers.

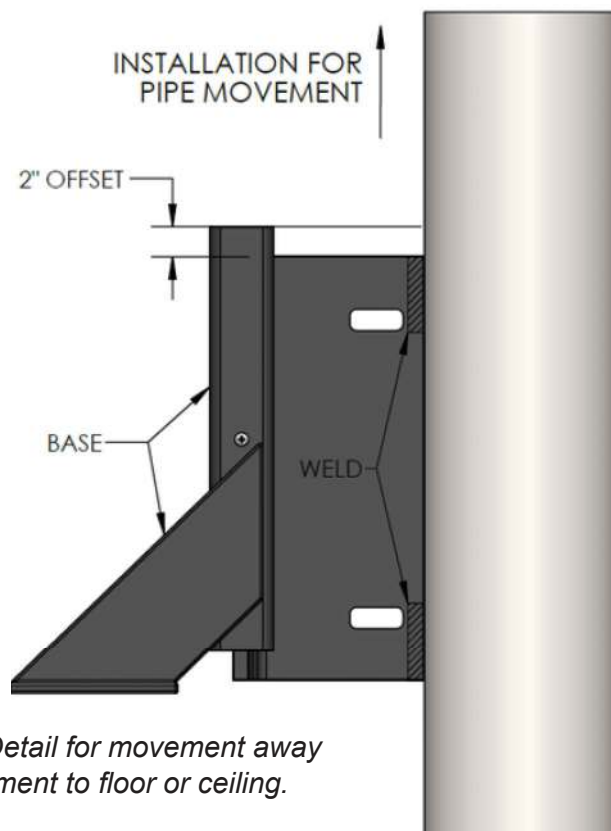
**General:** The PGQ Quiet Riser Guide was designed to isolate noise and vibration from riser piping to the structure. The PGQ features a full-length urethane load bearing isolator to guide the pipe without metal-to-metal contact.

## Application

1. The PGQ Quiet Riser Guide is designed to be installed individually on riser piping up to 4” diameter, See Figure 2. For sizes 5” through 10” diameter two PGQs are installed per location, see Figure 3. For 12” and larger, consult Metraflex
2. The PGQ is designed to ensure proper alignment as riser pipes expand and contract. The PGQ is not designed to straighten misaligned pipe.

## Installation

1. Inspect the PGQ for shipping damage.
2. The PGQ shall be located as indicated on contract drawings or as recommended by Metraflex.
3. PGQ base plate can be attached to the structure by bolting or welding.
4. The PGQ baseplate can be installed on either the floor or ceiling. To obtain the maximum 5” of axial movement and avoid interference with the structure, the T-slide must be offset in the slide guide. The amount and direction of the offset depends on the direction of pipe movement relative to the base plate.
  - a. For installations with pipe movement away from the base plate the T-Slide must be installed with a 2” offset towards the base plate attachment to the floor or ceiling as shown in Figure 1.



*Figure 1. Installation Detail for movement away from base plate attachment to floor or ceiling.*

b. For installations with pipe movement towards the base plate the T-Slide must be installed with a 3" offset away from the base plate attachment to the floor or ceiling as shown in Figure 2.

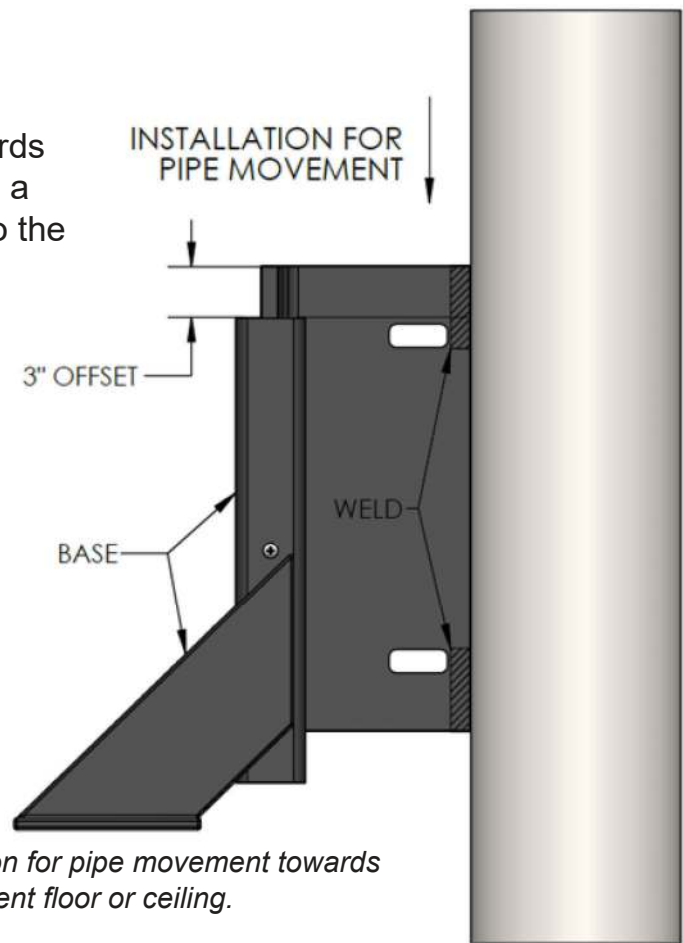


Figure 2. Installation for pipe movement towards base plate attachment floor or ceiling.

5. T-Slide attachment to pipe
  - a. For carbon steel risers, the pipe can be attached to the T-slide of the guide by 2" long welds at both ends of the T-slide.
  - b. Clamps can be obtained from Metraflex as an alternative method of attaching to carbon steel risers.
  - c. For copper riser pipes, attachment to T-slide shall be with clamps and dielectric inserts.
6. For pipe sizes 4" and smaller, one PGQ is required per location, see Figure 3 below.

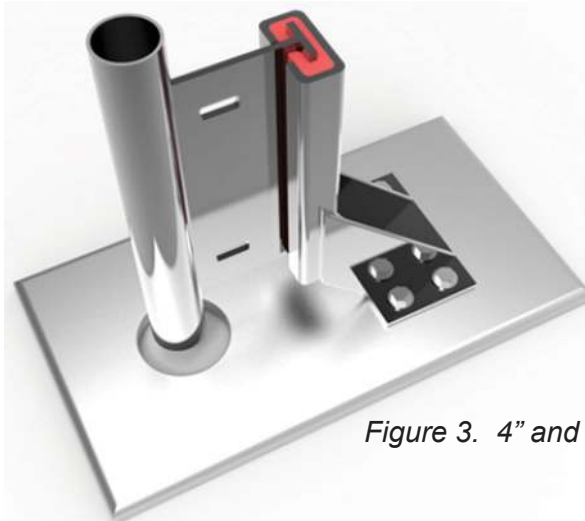


Figure 3. 4" and Smaller Installation Detail

7. For pipe sizes 5" through 10", two PGQs are required per location as shown in Figure 4. For 12" and larger applications, consult Metraflex.

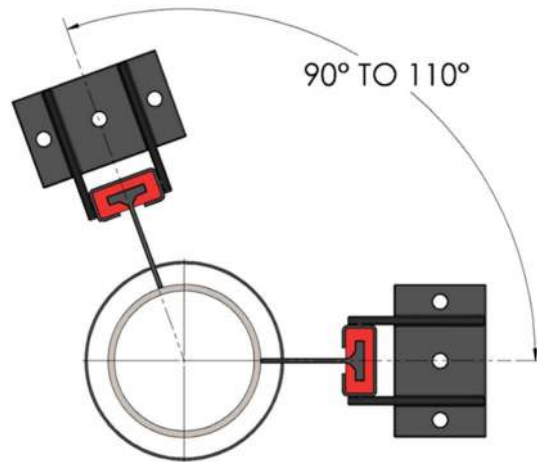


Figure 4. 5" to 10" Installation Detail.

**Precautions:**

1. Maximum exposure temperature is 250° F, minimum exposure temperature is -10° F.
2. Guide placement is dependent on riser height and type of expansion joint used.

**Maintenance:**

1. The Metraflex PGQ is self-lubricating and has no serviceable parts.
2. Periodic inspection damage or wear of components is recommended.

Contact Metraflex or your local Metraflex Representative with any questions.