

MODEL SEAL WALL PENETRATION SEAL

MATERIALS OF CONSTRUCTION/DESIGN DATA

TYPE	SEAL MATERIAL	PRESSURE PLATES	BOLTS & NUTS	TEMPERATURE RANGE (°F)
E	EPDM BLACK	GLASS REINFORCED PLASTIC	STEEL ZINC DICHROMATE	-40 TO +250
ES	EPDM BLACK	GLASS REINFORCED PLASTIC	316 STAINLESS STEEL	-40 TO +250
P	NITRILE BLACK	GLASS REINFORCED PLASTIC	STEEL ZINC DICHROMATE	-40 TO +210
PS	NITRILE BLACK	GLASS REINFORCED PLASTIC	316 STAINLESS STEEL	-40 TO +210
HT	SILICONE GRAY	STEEL ZINC DICHROMATE	STEEL ZINC DICHROMATE	-40 TO +400

NOTE: MAX SEALING PRESSURE OF 20 PSIG AND 40 FT. HEAD

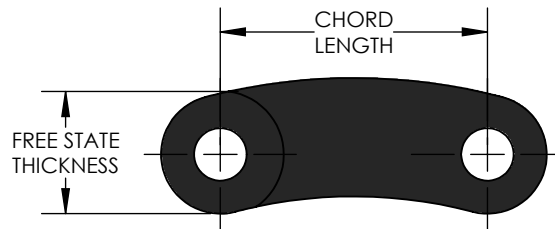
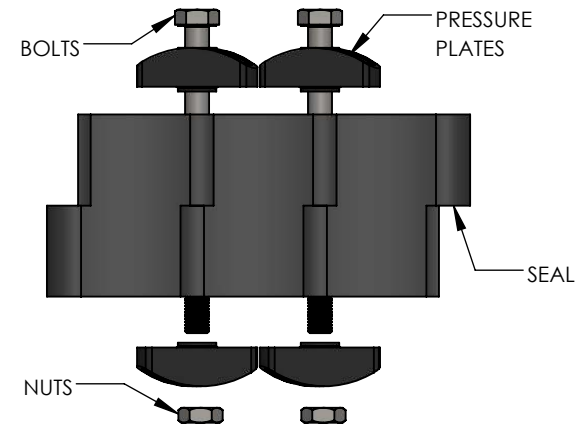
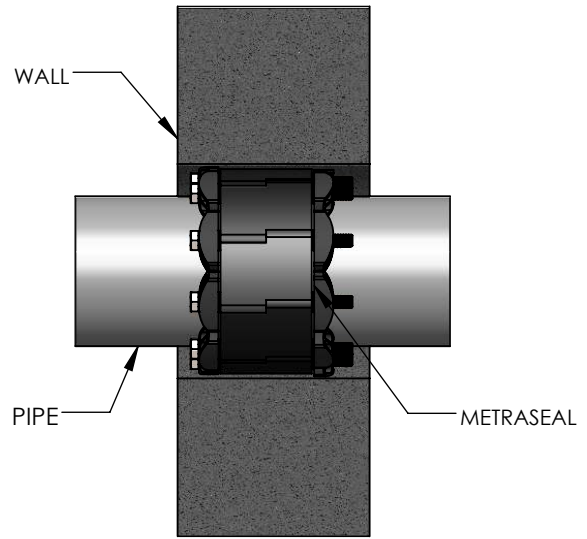
ALL DIMENSIONS ARE IN INCHES

DIMENSIONAL DATA

MODEL #	FREE STATE THICKNESS	EXPANDED STATE THICKNESS	CHORD LENGTH
MS-200	.50	.62	1.125
MS-275	.62	.78	.910
MS-300	.71	.88	1.510
MS-315	.82	1.03	1.470
MS-325	.94	1.18	3.100
MS-340	1.05	1.33	1.575
MS-360	1.29	1.65	2.106
MS-400	1.43	1.81	3.625
MS-410	1.48	1.91	2.598
MS-425	1.13	1.45	3.625
MS-475	1.62	1.90	2.625
MS-500	2.37	2.81	3.860
MS-525	2.18	2.50	3.860
MS-575	1.81	2.35	3.100
MS-600	3.20	4.00	6.000
MS-650	2.76	3.57	4.160

*FOR SIZING INFORMATION SEE METRASEAL SELECTION CHARTS

[WALL PENETRATION SEALS](#)



NOMINAL PIPE SIZE & TYPE OF PIPE	PIPE O.D.	INNER PIPE THROUGH A CORE DRILLED HOLE			INNER PIPE THROUGH A WALL SLEEVE			NOTES
		HOLE DIA.	MODEL NO./TYPE	QTY. OF LINKS	SLEEVE I.D.	MODEL NO./TYPE	QTY. OF LINKS	

NSF 372 - LEAD FREE
The wetted surface of this product contacted by consumable water contains less than one quarter of one percent (0.25%) of lead by weight. Material complies with state codes and standards, where applicable, requiring reduced lead content.

CUSTOMER: _____

PROJECT: _____

ENGINEER: _____

REV. 1	MS-650 ADDED	DATE 12/27/2018
		2323 W. HUBBARD ST. CHICAGO, IL 60612 TEL: 312-738-3800 FAX: 312-738-0415 WWW.METRAFLEX.COM
MODEL SEAL WALL PENETRATION SEAL		
DRAWN BY: DKISH		DATE: 5/22/2015
APPROVED: ZB		DATE: 5/22/2015
SCALE: N/A	DRAWING NUMBER: SEAL-1	