

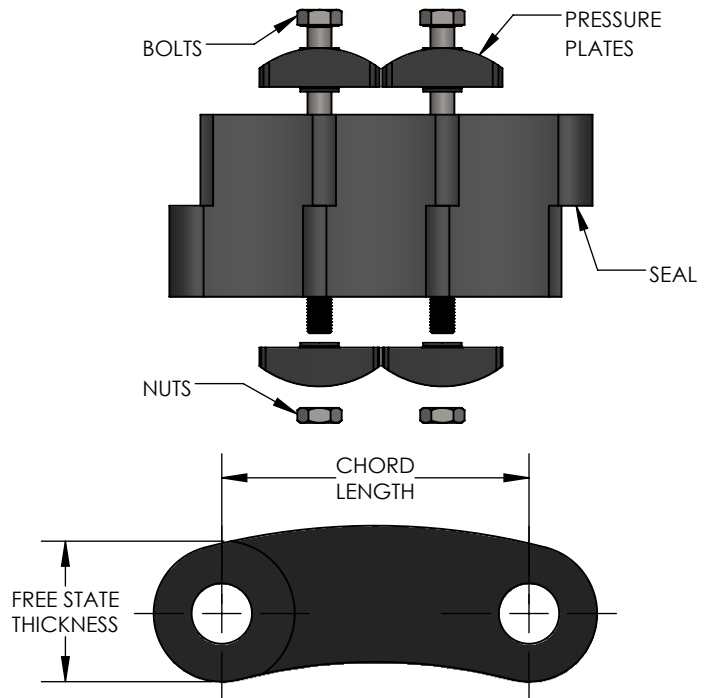
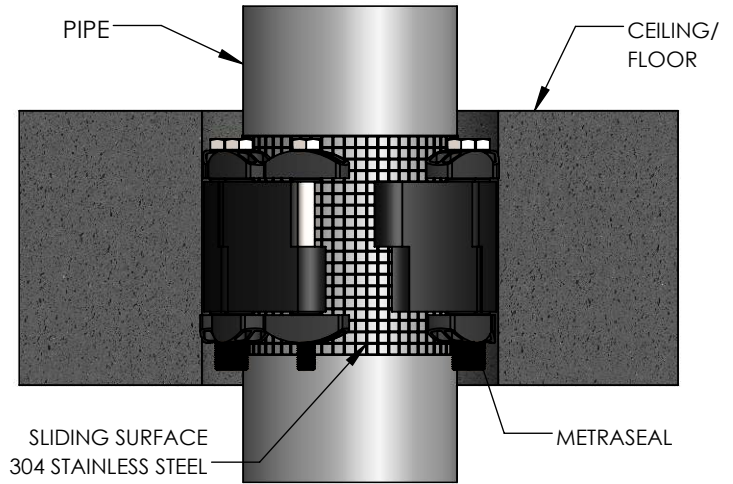
**MODEL SEALSLD
VIBRATION ISOLATION
PIPE GUIDE FOR RISERS**

MATERIALS OF CONSTRUCTION/DESIGN DATA				
TYPE	SEAL MATERIAL	PRESSURE PLATES	BOLTS & NUTS	TEMPERATURE RANGE (°F)
E	EPDM BLACK	GLASS REINFORCED PLASTIC	STEEL ZINC DICHROMATE	-40 TO +250
ES	EPDM BLACK	GLASS REINFORCED PLASTIC	316 STAINLESS STEEL	-40 TO +250
P	NITRILE BLACK	GLASS REINFORCED PLASTIC	STEEL ZINC DICHROMATE	-40 TO +210
PS	NITRILE BLACK	GLASS REINFORCED PLASTIC	316 STAINLESS STEEL	-40 TO +210
HT	SILICONE GRAY	STEEL ZINC DICHROMATE	STEEL ZINC DICHROMATE	-40 TO +400

ALL DIMENSIONS ARE IN INCHES

DIMENSIONAL DATA			
MODEL #	FREE STATE THICKNESS	EXPANDED STATE THICKNESS	CHORD LENGTH
MS-200	.50	.62	1.125
MS-275	.62	.78	.910
MS-300	.71	.88	1.510
MS-315	.82	1.03	1.470
MS-325	.94	1.18	3.100
MS-340	1.05	1.33	1.575
MS-360	1.29	1.65	2.106
MS-400	1.43	1.81	3.625
MS-410	1.48	1.91	2.598
MS-425	1.13	1.45	3.625
MS-475	1.62	1.90	2.625
MS-500	2.37	2.81	3.860
MS-525	2.18	2.50	3.860
MS-575	1.81	2.35	3.100
MS-600	3.20	4.00	6.000

*FOR SIZING INFORMATION SEE METRASEAL SELECTION CHARTS
[WALL PENETRATION SEALS](#)




NOMINAL PIPE SIZE & TYPE OF PIPE	PIPE O.D.	INNER PIPE THROUGH A CORE DRILLED HOLE			INNER PIPE THROUGH A WALL SLEEVE			NOTES
		HOLE DIA.	MODEL NO./TYPE	QTY. OF LINKS	SLEEVE I.D.	MODEL NO./TYPE	QTY. OF LINKS	

NSF 372 - LEAD FREE
The wetted surface of this product contacted by consumable water contains less than one quarter of one percent (0.25%) of lead by weight. Material complies with state codes and standards, where applicable, requiring reduced lead content.

CUSTOMER: _____

PROJECT: _____

ENGINEER: _____

REV.	DATE
	
2323 W. HUBBARD ST. CHICAGO, IL 60612 TEL: 312-738-3800 FAX: 312-738-0415 WWW.METRAFLEX.COM	
MODEL SEALSLD VIBRATION ISOLATION PIPE GUIDE FOR RISERS	
DRAWN BY: DKISH	DATE: 9/22/2015
APPROVED:	DATE:
SCALE: N/A	DRAWING NUMBER: SEALSLD