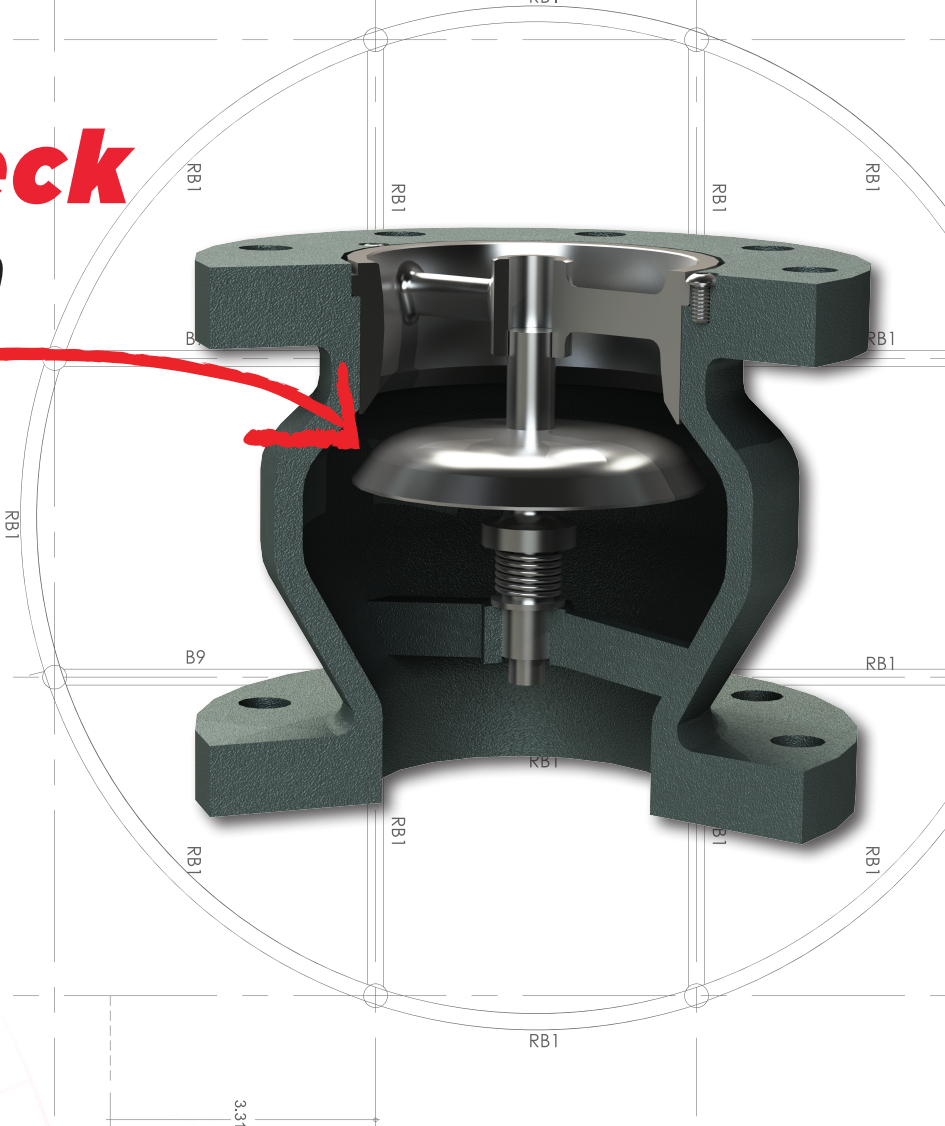
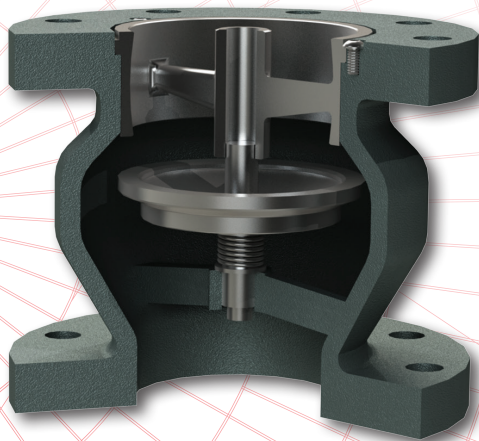


# NEW! **VFD Check Valve Design**

This new, hydrodynamic disk design by Metraflex **increases flow** and is specifically designed to provide **superior functionality in low flow conditions**, common with **VFD Drives**.

## **VS Original Check Valve**



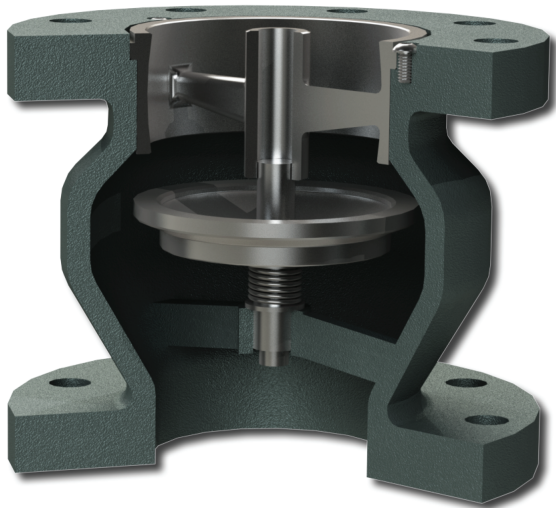
- Improves the Cv 38% for a check valve operating at 6 FPS
- Hydrodynamic disk design
- Same face-to-face dimensions
- Available in sizes 2.5-12"
- 150 lb. class and 300 lb. class

**Metraflex**<sup>®</sup>  
*for pipes in motion*

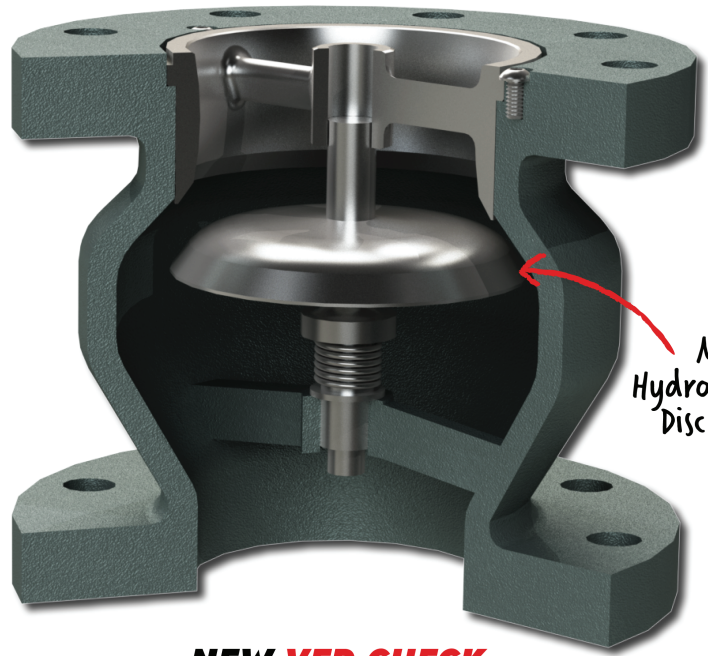
The Latest in Product Innovation from Metraflex

Learn more at [www.Metraflex.com/VFD](http://www.Metraflex.com/VFD) or

call us at 800-621-4347



**ORIGINAL CHECK VALVE DESIGN**



**NEW VFD CHECK VALVE DESIGN**

More Hydrodynamic Disc Design

<b>Part #</b>	<b>Pipe Size</b>	<b>Face-to-face</b>	<b>Weight (lbs)</b>	<b>Bolt Size</b>	<b># of Bolts</b>
CVOSSVFD9025	2 1/2"	5 1/2"	20	5/8"	4
CVOSSVFD903	3"	6"	26	5/8"	4
CVOSSVFD904	4"	7 1/4"	44	5/8"	8
CVOSSVFD905	5"	8 1/2"	56	3/4"	8
CVOSSVFD906	6"	9 3/4"	79	3/4"	8
CVOSSVFD908	8"	12 1/2"	137	3/4"	8
CVOSSVFD910	10"	15 1/2"	223	7/8"	12



Learn more at [www.Metraflex.com/VFD](http://www.Metraflex.com/VFD) or call us at 800-621-4347