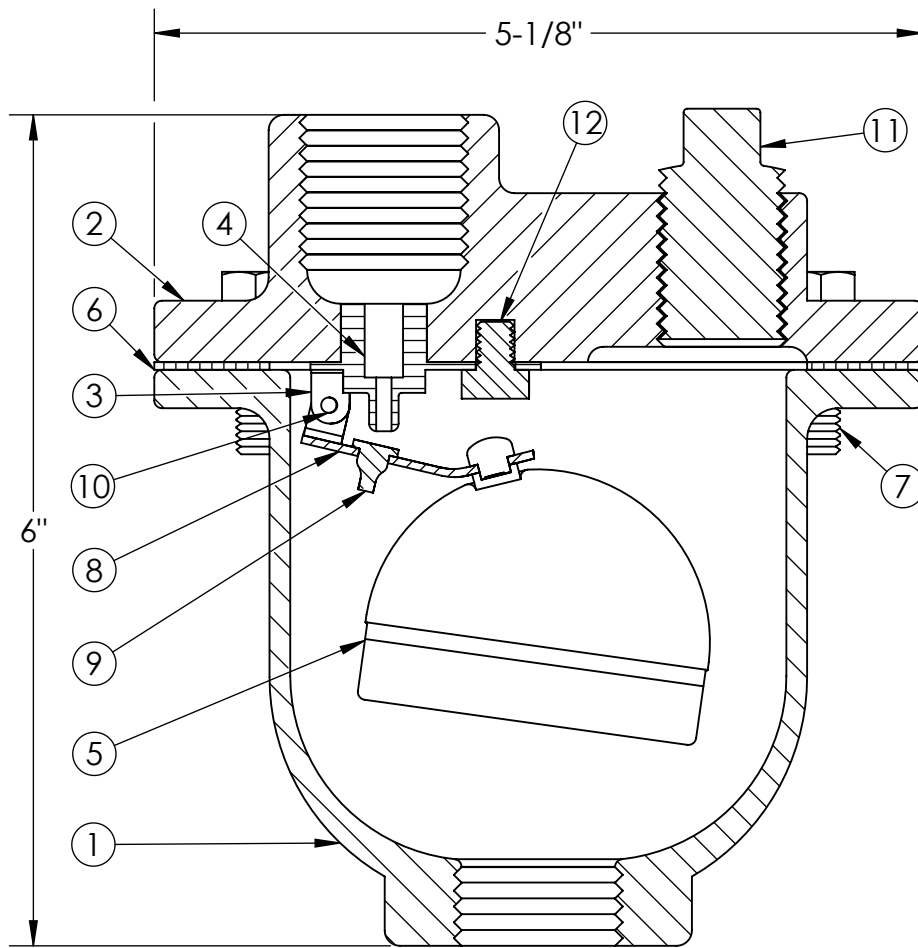
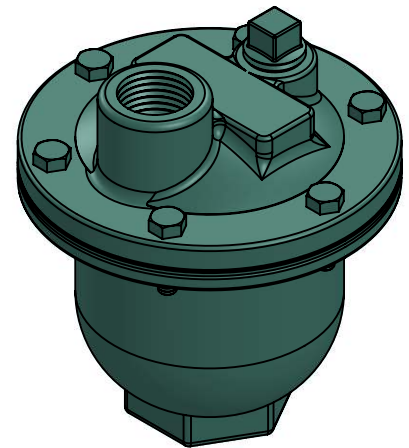


**MODEL MVC-30
METRAVENT AUTOMATIC
AIR VENT**

MAX WORKING PRESSURE
300 PSI @ 150 °F
260 PSI @ 250 °F



PART	PART NAME	MATERIAL	PART	PART NAME	MATERIAL
1	BODY	CAST IRON A126	7	COVER BOLT	CARBON STEEL
2	COVER	CAST IRON A126	8	FLOAT ARM	STAINLESS STEEL
3	LEVER FRAME	STAINLESS STEEL	9	ORIFICE BUTTON	FLUROELASTOMER
4	SEAT	STAINLESS STEEL	10	PIVOT PIN/RETAINER	STAINLESS STEEL
5	FLOAT	STAINLESS STEEL	11	PIPE PLUG (0.5")	STAINLESS STEEL
6	GASKET	NON ASBESTOS	12	LOCATOR	STAINLESS STEEL

QTY	SIZE	PART NUMBER	MAX TEMP	INLET SIZE	OUTLET SIZE	ORIFICE SIZE	WT (LBS)
	1/2" (15mm)	MVC300050	250 °F	1/2" NPT	1/2" NPT	1/16"	8
	3/4" (20mm)	MVC300075	250 °F	3/4" NPT	1/2" NPT	1/16"	8
	1" (25mm)	MVC300100	250 °F	1" NPT	1/2" NPT	1/16"	8

NSF 372 - LEAD FREE

The wetted surface of this product contacted by consumable water contains less than one quarter of one percent (0.25%) of lead by weight. Material complies with state codes and standards, where applicable, requiring reduced lead content.

CUSTOMER: _____

PROJECT: _____

ENGINEER: _____

REV. 1	PART NUMBER UPDATED	DATE 2/28/2017
		2323 W. HUBBARD ST. CHICAGO, IL 60612 TEL: 312-738-3800 FAX: 312-738-0415 WWW.METRAFLEX.COM
MODEL MVC-30 METRAVENT AUTOMATIC AIR VENT		
DRAWN BY: DKISH		DATE: 9/4/2015
APPROVED: ZB		DATE: 9/4/2015
SCALE: N/A	DRAWING NUMBER: MVC30-1	