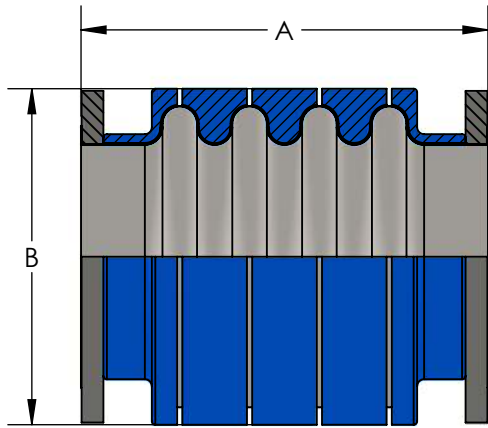
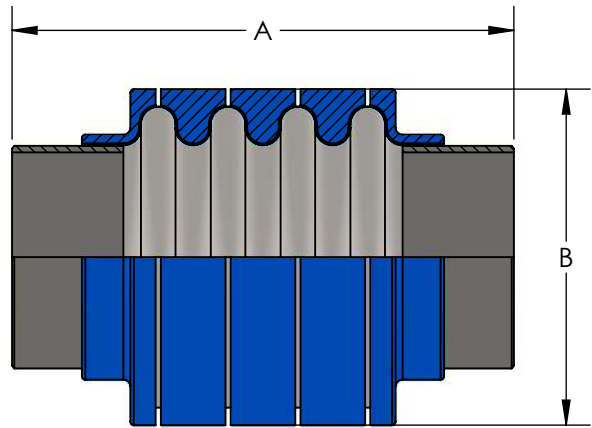


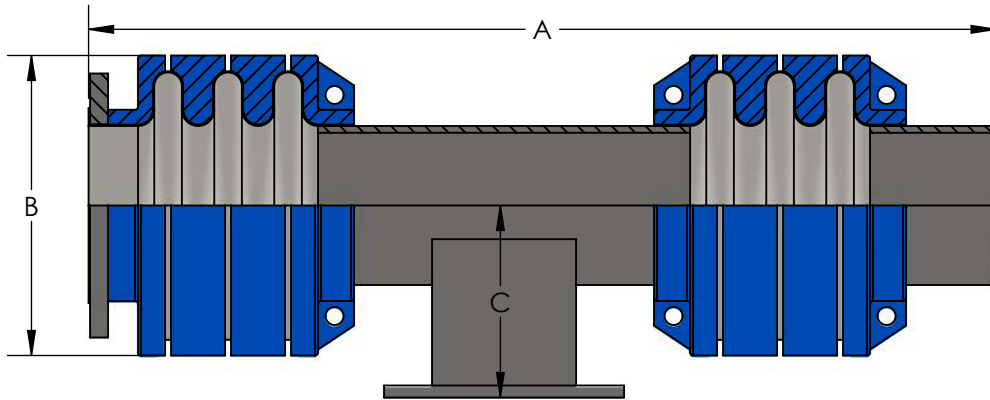
**MODEL MC
RING CONTROLLED EXPANSION JOINT**



MODEL MCF



MODEL MCW



MODEL MCDEA (F) OR (W)

DESIGN DATA

WORKING PRESSURE: 300 PSI
 WORKING TEMPERATURE: 500°F
 TEST PRESSURE: 450 PSI

MATERIALS OF CONSTRUCTION

BELLOWS: 304 STAINLESS STEEL
 CONTROL RINGS: CAST IRON
 FLANGES/WELD ENDS: CARBON STEEL

ALL JOINTS RATED FOR FULL VACUUM.
 SIZES 2" - 36" AVAILABLE
 MEETS MIL SPEC: MIL-E-17813C

QTY	PIPE SIZE	MODEL	# OF CORR.	END FITTING	A	B	C	AXIAL COMP.	TIE RODS (Y/N)	COVER (Y/N)	LINER (Y/N)	NOTES


NSF 372 - LEAD FREE

The wetted surface of this product contacted by consumable water contains less than one quarter of one percent (0.25%) of lead by weight. Material complies with state codes and standards, where applicable, requiring reduced lead content.

CUSTOMER: _____

PROJECT: _____

ENGINEER: _____

REV.	DATE
	
2323 W. HUBBARD ST. CHICAGO, IL 60612 TEL: 312-738-3800 FAX: 312-738-0415 WWW.METRAFLEX.COM	
MODEL MC RING CONTROLLED EXPANSION JOINT	
DRAWN BY: DKISH	DATE: 1/31/2018
APPROVED: JC	DATE: 1/31/2018
SCALE: NTS	DRAWING NUMBER: MC-1