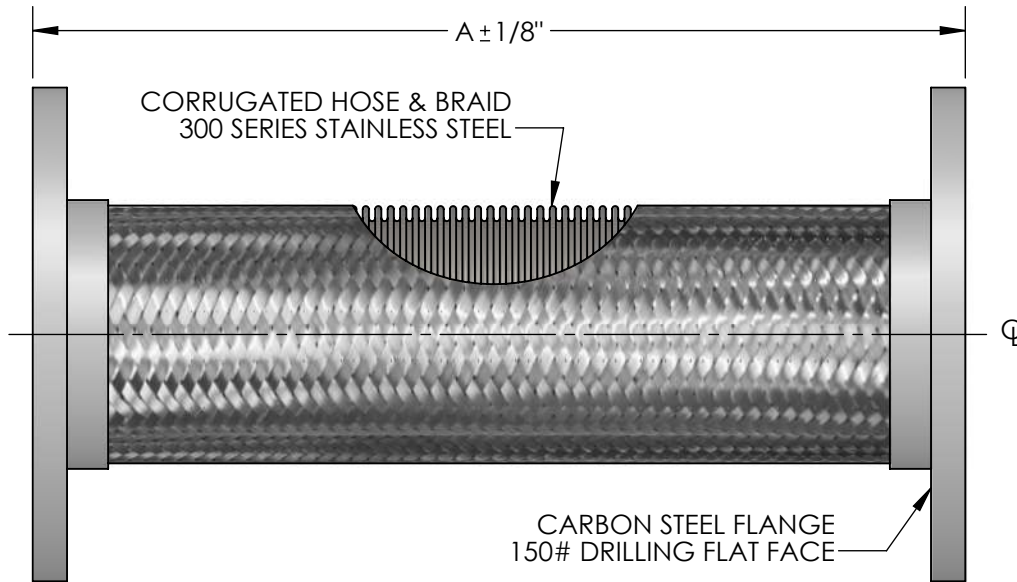


**MODEL MLPC
FLANGED FLEXIBLE PUMP CONNECTOR**

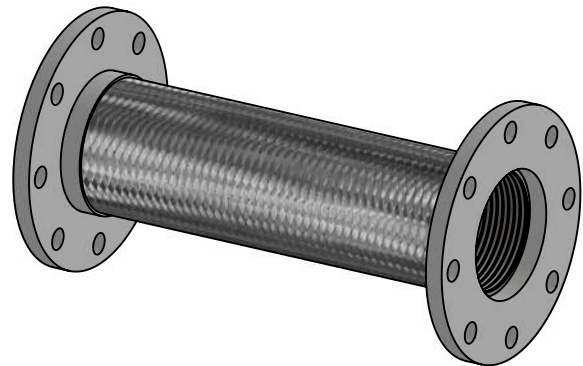


QTY	PART NUMBER	PIPE SIZE		A	PRESSURE RATING (PSI)*	WEIGHT (LBS)	PROJECT INFORMATION
		INCH	MM				
	MLPC0200	2"	50	12"	516	12	
	MLPC0250	2-1/2"	65	12"	387	13	
	MLPC0300	3"	80	14"	316	15	
	MLPC0400	4"	100	16"	232	20	
	MLPC0500	5"	125	18"	191	30	
	MLPC0600	6"	150	20"	165	34	
	MLPC0800	8"	200	22"	234	68	
	MLPC1000	10"	250	24"	230	75	
	MLPC1200	12"	300	26"	161	112	
	MLPC1400	14"	350	28"	150	128	

*FOR SAFE WORKING PRESSURE ABOVE 70°F, MULTIPLY THE PRESSURE SHOWN AT 70°F TIMES THE CORRECTION FACTOR OF THE REQUIRED TEMPERATURE.

TEMPERATURE (°F)	FACTOR
70	1.0
200	.91
300	.85
400	.78
500	.77
600	.76

MAX INTERMITTENT OFFSET FROM CENTERLINE 3/4"
MAX PERMANENT OFFSET FROM CENTERLINE 1"



NSF 372 - LEAD FREE

The wetted surface of this product contacted by consumable water contains less than one quarter of one percent (0.25%) of lead by weight. Material complies with state codes and standards, where applicable, requiring reduced lead content.

CUSTOMER: _____

PROJECT: _____

ENGINEER: _____

REV.	1	TEMP FACTOR UPDATED	DATE 12/28/2016
		2323 W. HUBBARD ST. CHICAGO, IL 60612 TEL: 312-738-3800 FAX: 312-738-0415 WWW.METRAFLEX.COM	
MODEL MLPC FLANGED FLEXIBLE PUMP CONNECTOR			
DRAWN BY: DKISH		DATE: 1/10/2014	
APPROVED: JC		DATE: 1/10/2014	
SCALE: N/A		DRAWING NUMBER: MLPC-1	