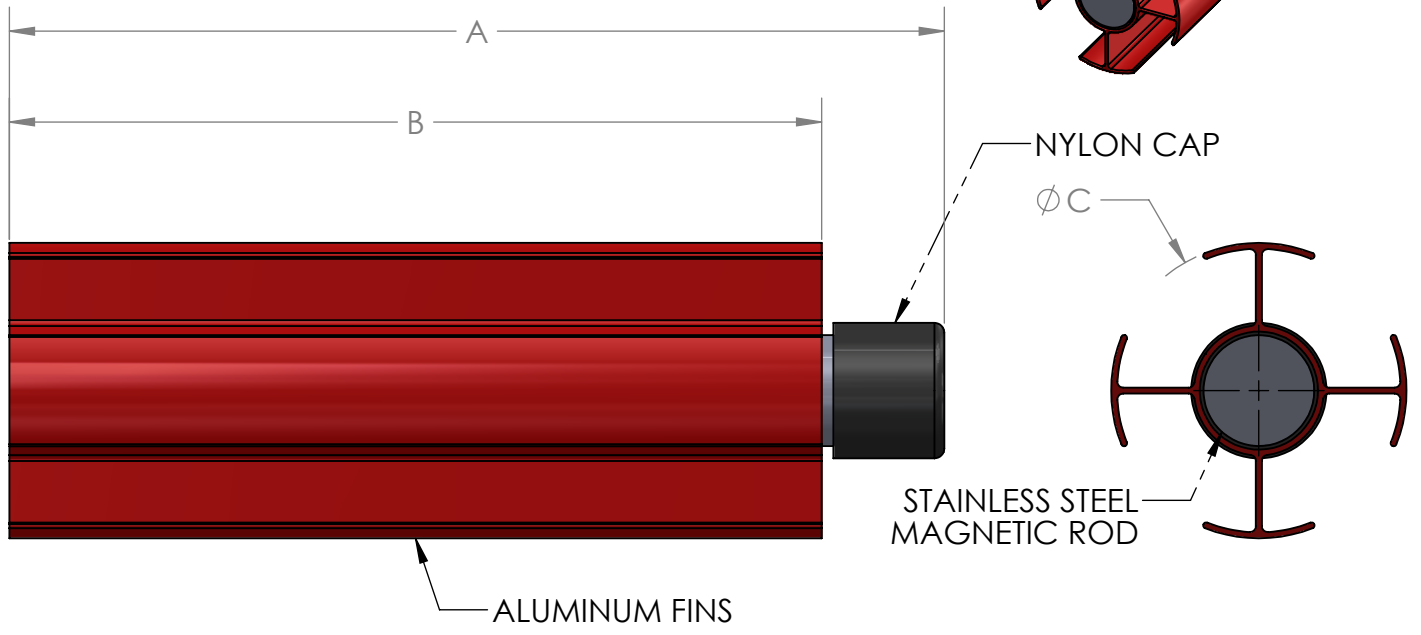
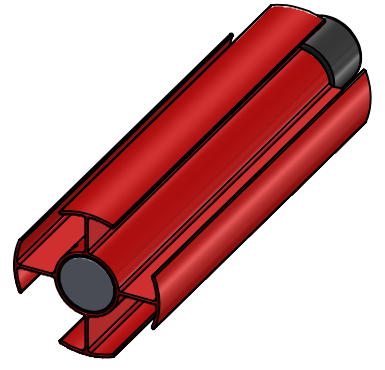


BASKET MAG

MAGNETIC INSERT FOR
BASKET STRAINER



QTY	PART NUMBER	NOMINAL SIZE	A	B	C	PROJECT INFO
	BSKMAG0300	3"	6.75"	5.5"	1.65"	
	BSKMAG0400	4"	7.75"	6.5"	1.65"	
	BSKMAG0500	5"	8.75"	7.5"	2.45"	
	BSKMAG0600	6"	8.75"	7.5"	2.45"	
	BSKMAG0800	8"	9.75"	8.50"	3"	
	BSKMAG1000	10"	13.25"	12"	3"	
	BSKMAG1200	12"	19.25"	18"	3"	

APPLICATION NOTES:
MAX PRESSURE: 200 PSI
MAX TEMPERATURE: 175°F

CUSTOMER: _____

PROJECT: _____

ENGINEER: _____

REV.	DATE
2323 W. HUBBARD ST. CHICAGO, IL 60612 TEL: 312-738-3800 FAX: 312-738-0415 WWW.METRAFLEX.COM	
<h2>BASKET MAG</h2>	
MAGNETIC INSERT FOR BASKET STRAINER	
DRAWN BY: JK, DR	DATE: 02/20/2024
APPROVED:	DATE:
SCALE: N/A	DRAWING NUMBER: BSKMAG